

Hybrid Pro Modular Kit 17

HP-K-17

Hybrid Pro™ Modular exhibits and counters are a perfect solution for the serious exhibitor. Exhibits feature heavy-duty aluminum extrusion frames and push-fit fabric graphics. Count on making an unforgeable impact with Hybrid Pro Modular exhibit kits, counters, and accessories.



This product may include the following materials for recycle:
aluminum, select wood, fabric, cardboard, paper, steel, and plastics.

We are continually improving and modifying our product range and reserve the right to vary the specifications without prior notice. All dimensions and weights quoted are approximate and we accept no responsibility for variance. E&OE. See Graphic Templates for graphic bleed specifications.

features and benefits:

- Silver aluminum extrusion frame
- 15' 9" tall 20' x 20' island display
- Base structure features white laminate panels for the accessible storage closet with lockable door on the narrow side
- Lifetime hardware warranty against manufacturer defects

- Kit includes: accessible lockable storage space, four pillowcase graphics, two fabric graphic velcro panels, three wing shaped Sintra panels, three counters, six small monitor mounts, six spotlights, two molded shipping cases and one wooden shipping crate

dimensions:

Hardware

Assembled unit:
222.25" w x 189" h x 217.36" d
5645mm(w) x 4800mm(h) x 5521mm(d)

Approximate weight:
973 lbs / 442 kgs

Shipping

Packing case(s):
1 WOODCRATE-H

Shipping dimensions:
101" l x 53" h x 49" d
2565mm(l) x 1346mm(h) x 1245mm(d)

Approximate total shipping weight:
1353 lbs / 614 kgs

Graphic

Refer to related graphic template for more information.

Visit:
www.exhibitors-handbook.com/graphic-templates

additional information:

Graphic material:
Dye-sublimation printed fabric
UV printed White PVC

Small monitor bracket holds 23-42" LCD, max weight 50 lbs / 19 kgs each
Monitors not included

Counters Dimensions:
48" w x 94.5" h x 38" d
Holds a max weight 50 lbs / 23 kgs

Center Tower Dimensions:
102.36" w x 189" h x 43.3" d
Storage Closet Area: 96" w x 36" d



Caution
sharp edges
on metal parts

Panel Colors:



grey



black



white

Tabletop Colors:



silver



black



mahogany



natural

3 person assembly recommended:



Included In Your Kit

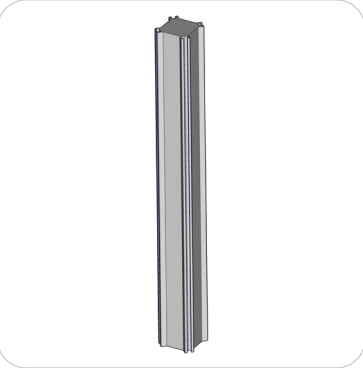
Tools, Components, & Connectors



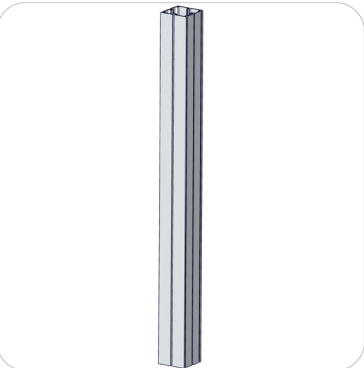
HEX KEY SET x1



5MM ALLEN-T x1



PM4D-600-TG x15



PM4S2-1200-A315-A315 x16



PM4S2-1200-A315-A315-GR-M x3



PM4S2-1200-A315-A315-GR x3



L180N-600 x20



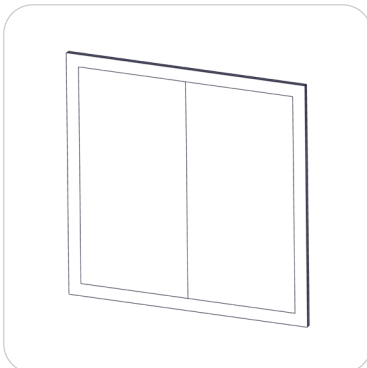
L180N-1200 x10



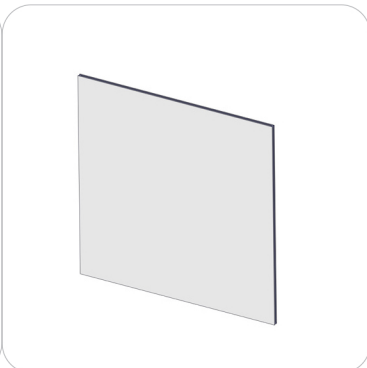
L90S-900 x12



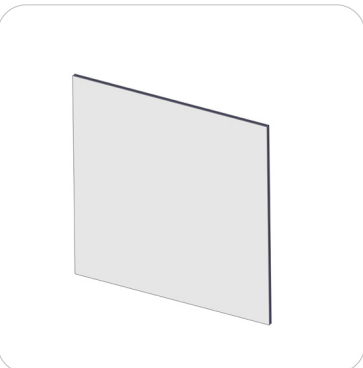
PL-DP-900-2400-FULL x1



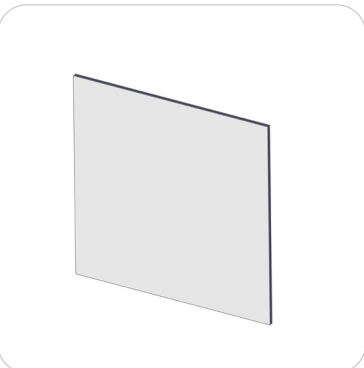
PL-CD-900-900 x3



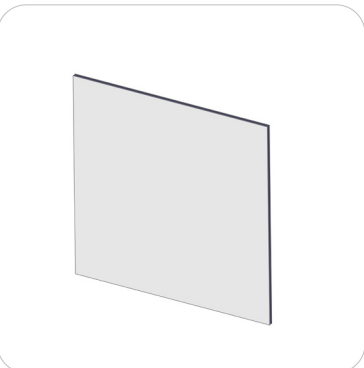
PL-900-600 x6



PL-900-900 x3



PL-1200-900 x2



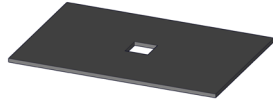
PL-1200-1200 x8

Included In Your Kit

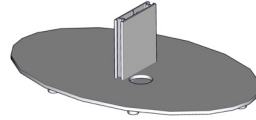
Tools, Components, & Connectors



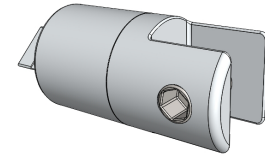
HP-CT-1 x3



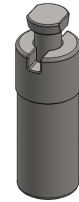
HP-CT-2 x3



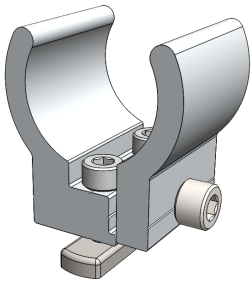
PM4BP1 x3



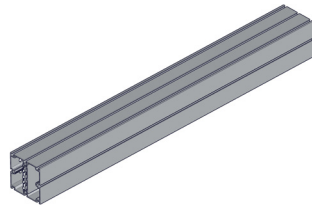
CKAPS x9



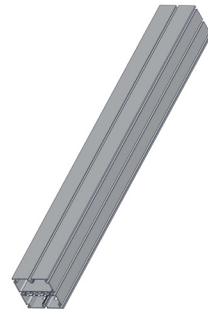
SS1-S x12



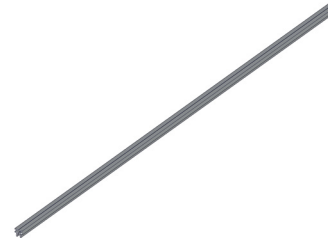
TC-30MM-SILVER x16



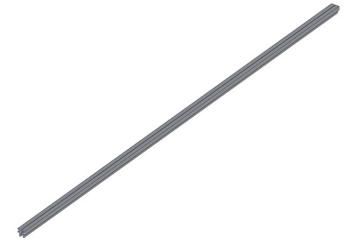
PM4S2-900-L-L x2



PM4U-900-L-L x2



FC-2186 x4



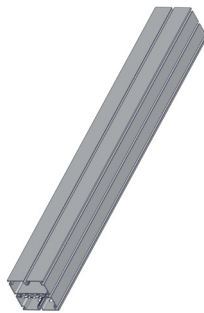
FC-900-ROUTES x4



EXT-SM-MB x6



LUM-200-ORL x6



PM4U-2400-L-L x2



CUS-WME-550 x2



KEY-CD x2

Included In Your Kit

Tools, Components, & Connectors



HP-FS-5-T1 x4



HP-FS-5-T2 x4



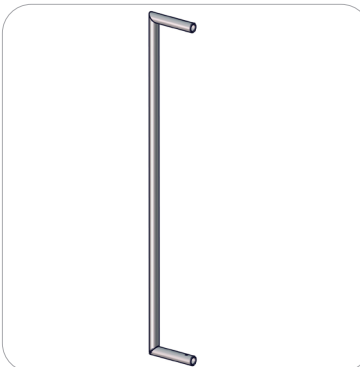
HP-FS-5-T3 x4



HP-FS-5-T4 x4



HP-FS-5-T5 x4



HP-FS-6-T1 x4



HP-FS-6-T2 x2



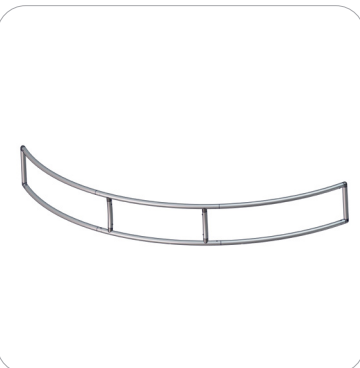
HP-FS-6-T3 x2



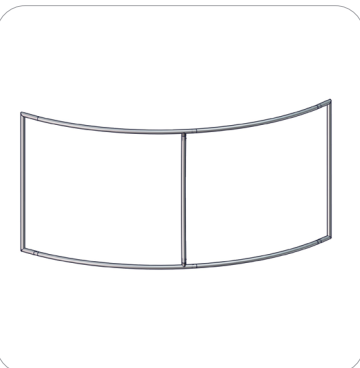
HP-FS-6-T4 x4



HP-FS-6-T5 x2

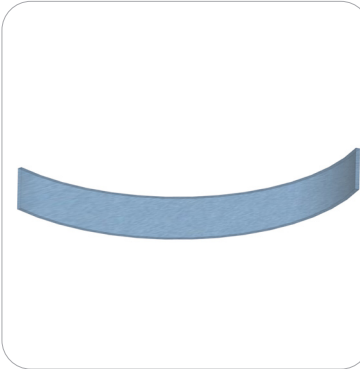


HP-FS-5 x2

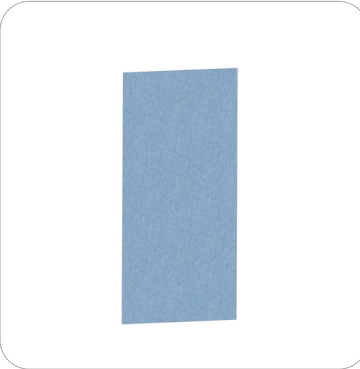


HP-FS-6 x2

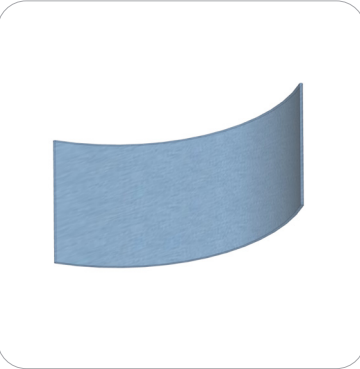
Included In Your Kit



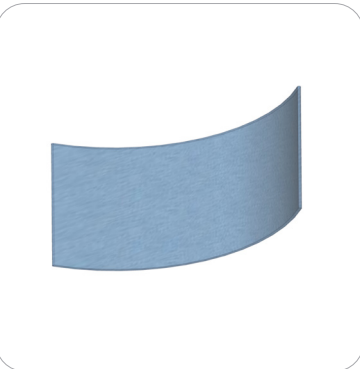
HP-17-A-G x1



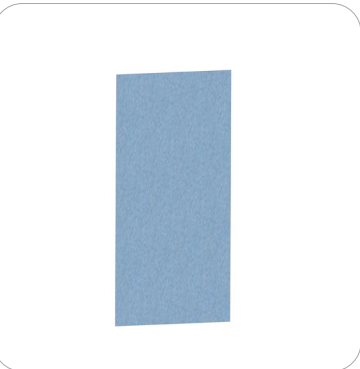
HP-17-B-G x1



HP-17-C-G x1



HP-17-D-G x1



HP-17-E-G x1

Graphics



HP-17-F-G x1



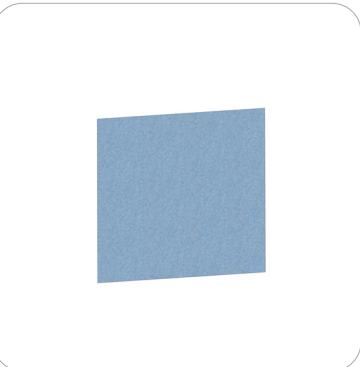
HP-17-G-G x1



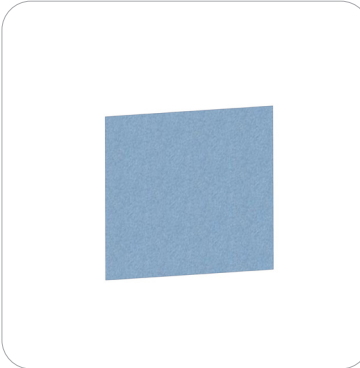
HP-17-H-G x1



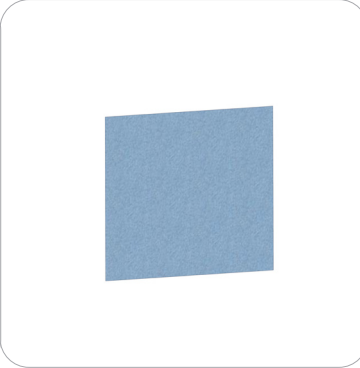
HP-17-I-G x1



HP-17-J-G x1



HP-17-K-G x1



HP-17-L-G x1



HP-17-M-G x1



HP-17-N-G x1

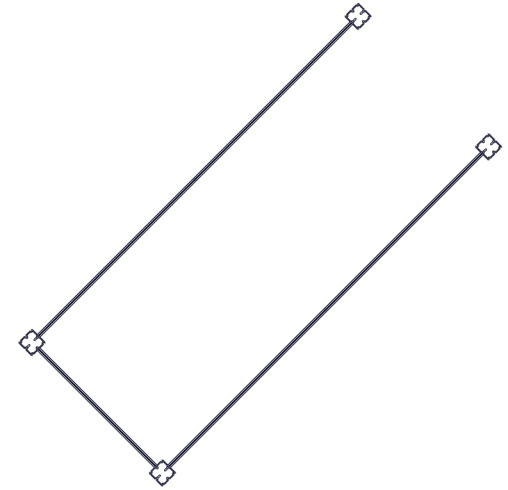
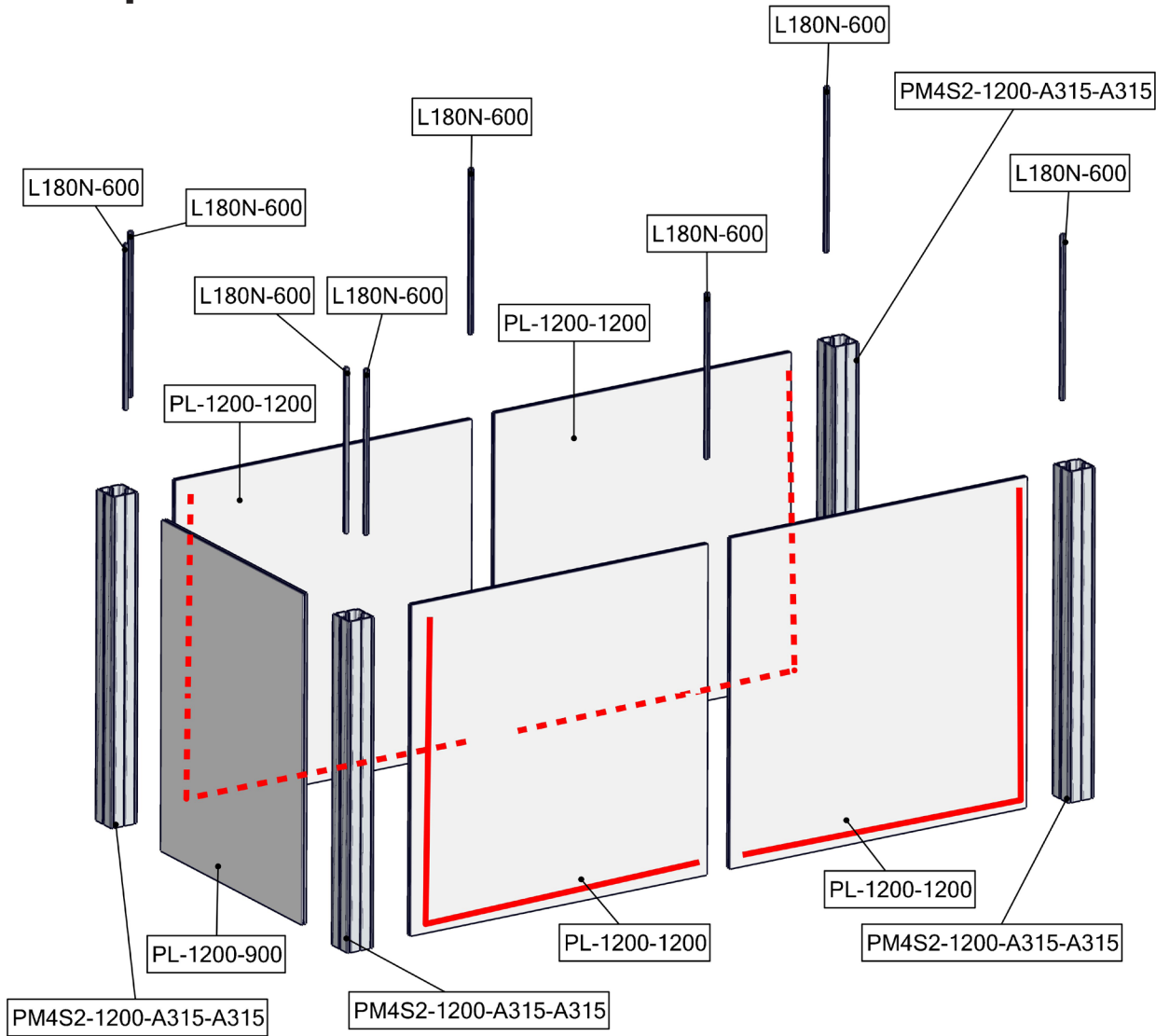
Exploded View

HP-K-17

Section 1.1

Reference the Suggested Layout page for build location.

— Loop velcro



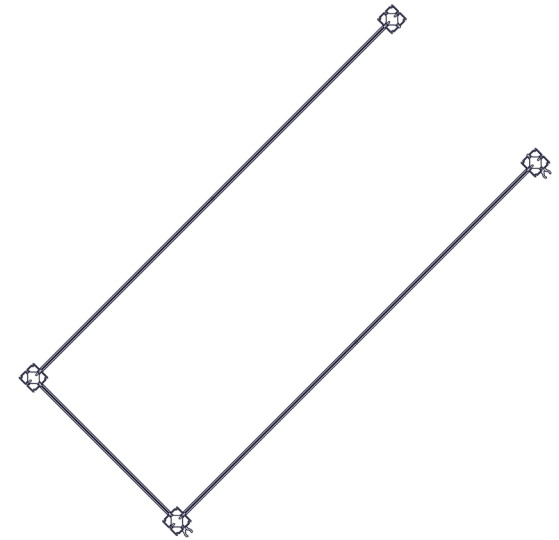
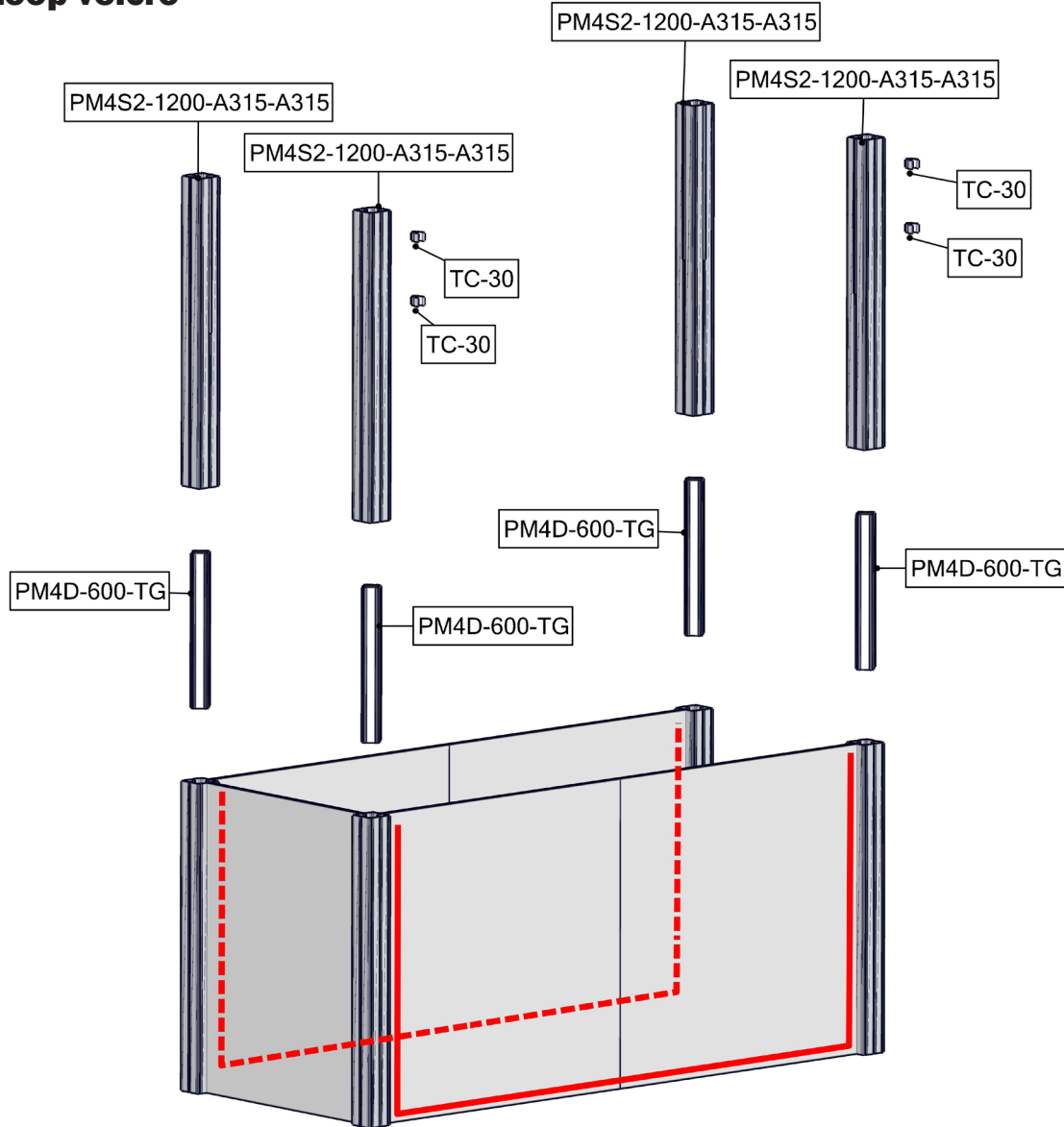
Exploded View

HP-K-17

Section 1.2

Reference the Suggested Layout page for build location.

— **Loop velcro**



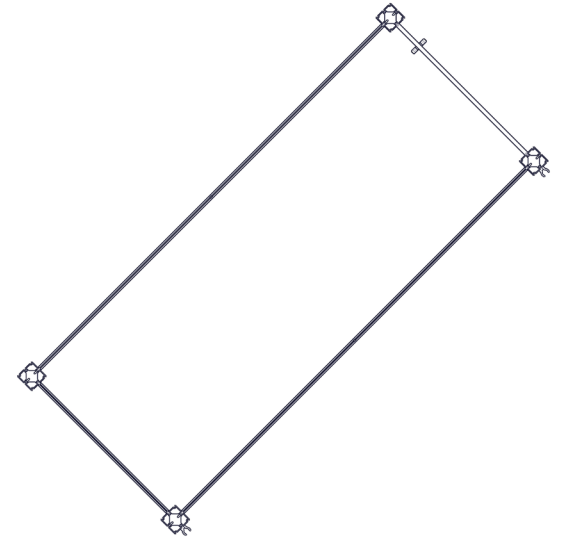
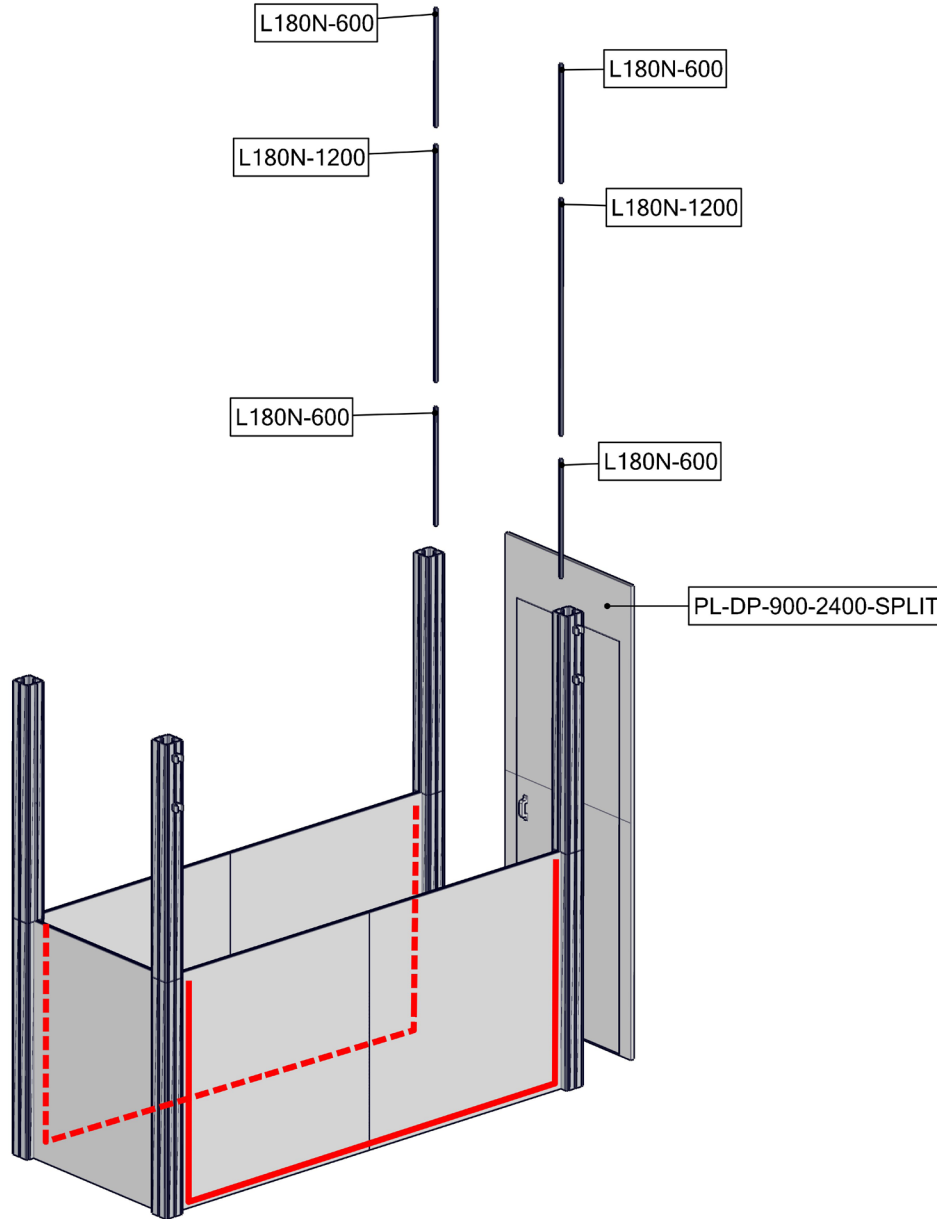
Exploded View

HP-K-17

Section 1.3

Reference the Suggested Layout page for build location.

— **Loop velcro**



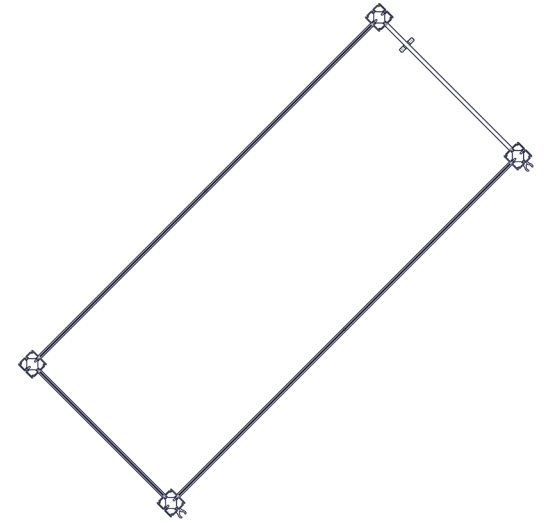
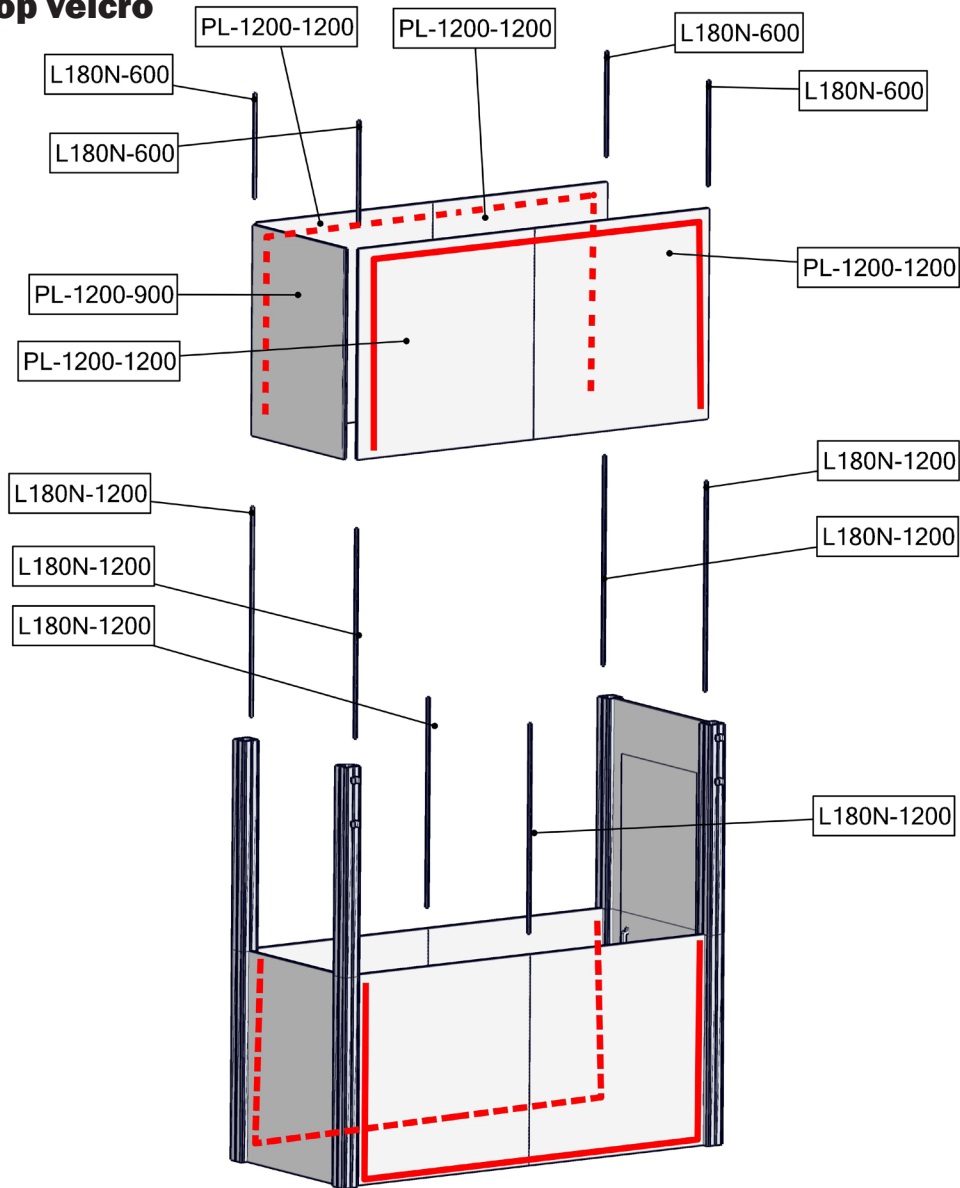
Exploded View

HP-K-17

Section 1.4

Reference the Suggested Layout page for build location.

— **Loop velcro**



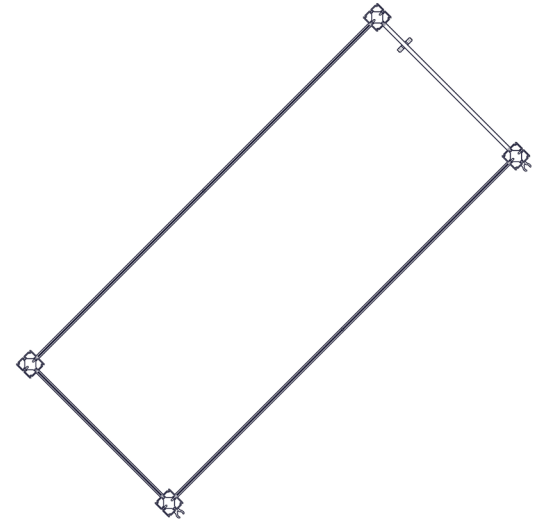
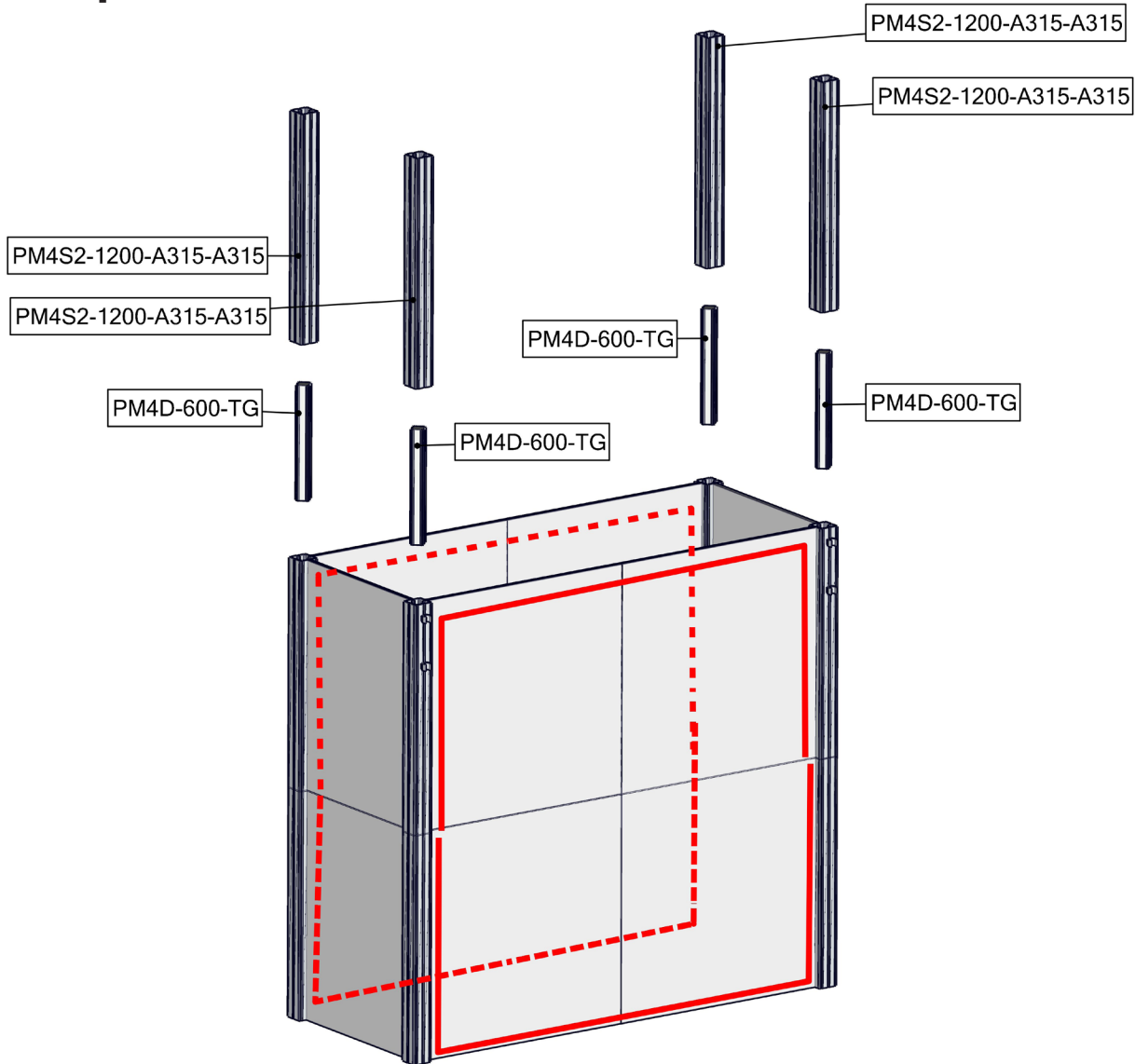
Exploded View

HP-K-17

Section 1.5

Reference the Suggested Layout page for build location.

— Loop velcro



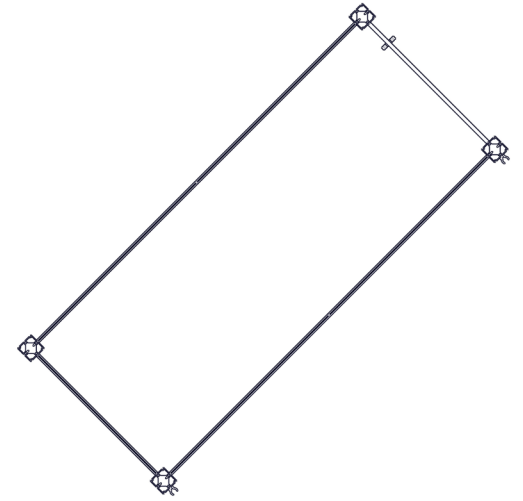
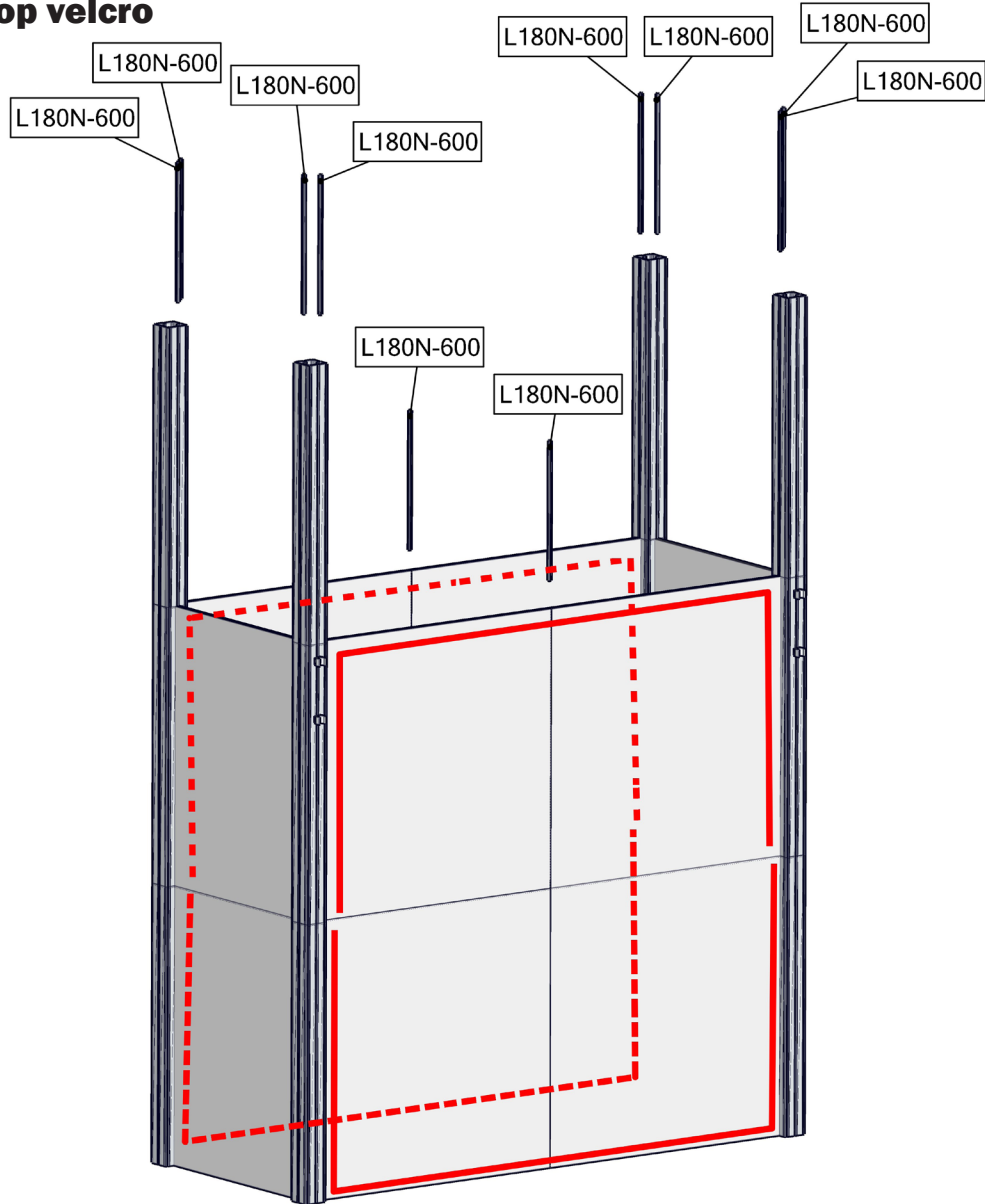
Exploded View

HP-K-17

Section 1.6

Reference the Suggested Layout page for build location.

— **Loop velcro**



Exploded View

HP-K-17

Section 1.7

Reference the Suggested Layout page for build location.

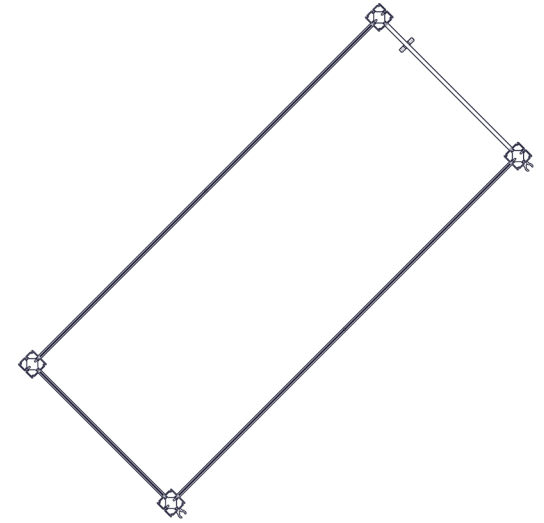
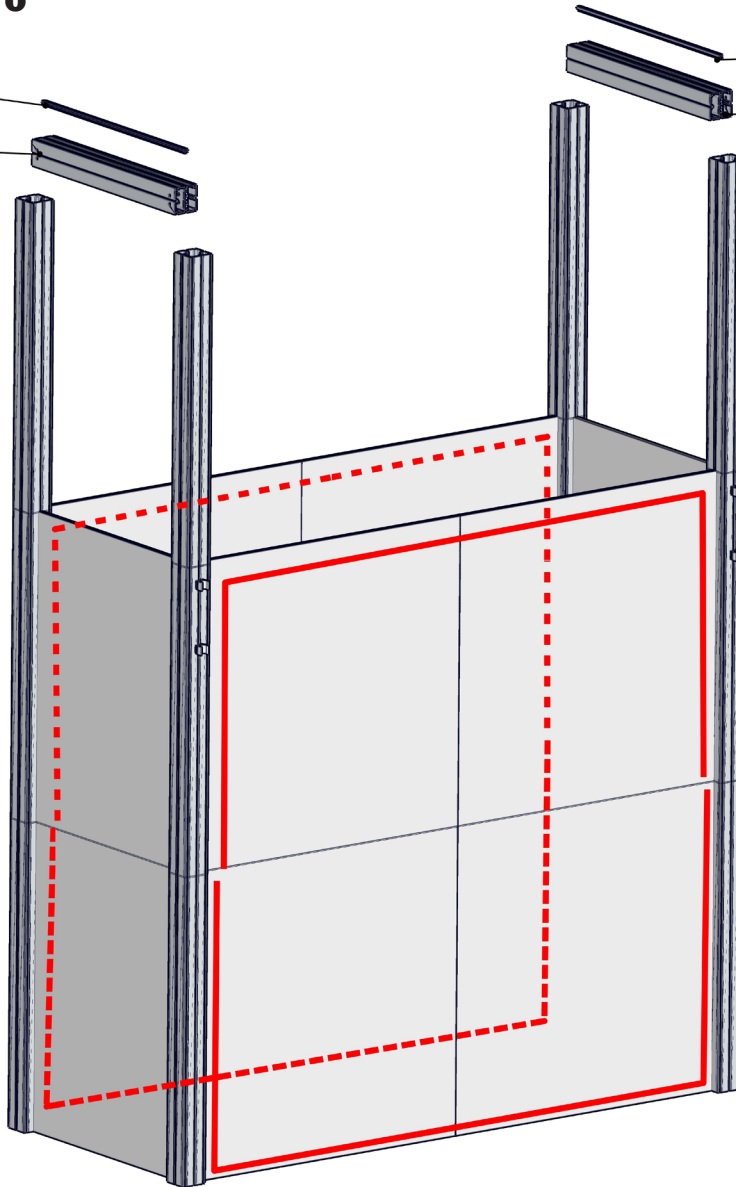
— **Loop velcro**

FC-900-ROUTES

PM4S2-900-L-L

FC-900-ROUTES

PM4S2-900-L-L



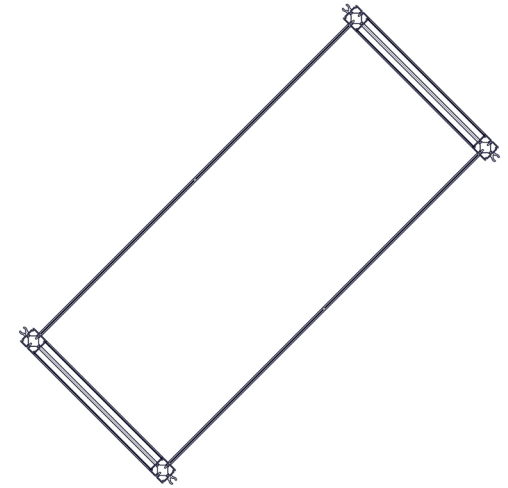
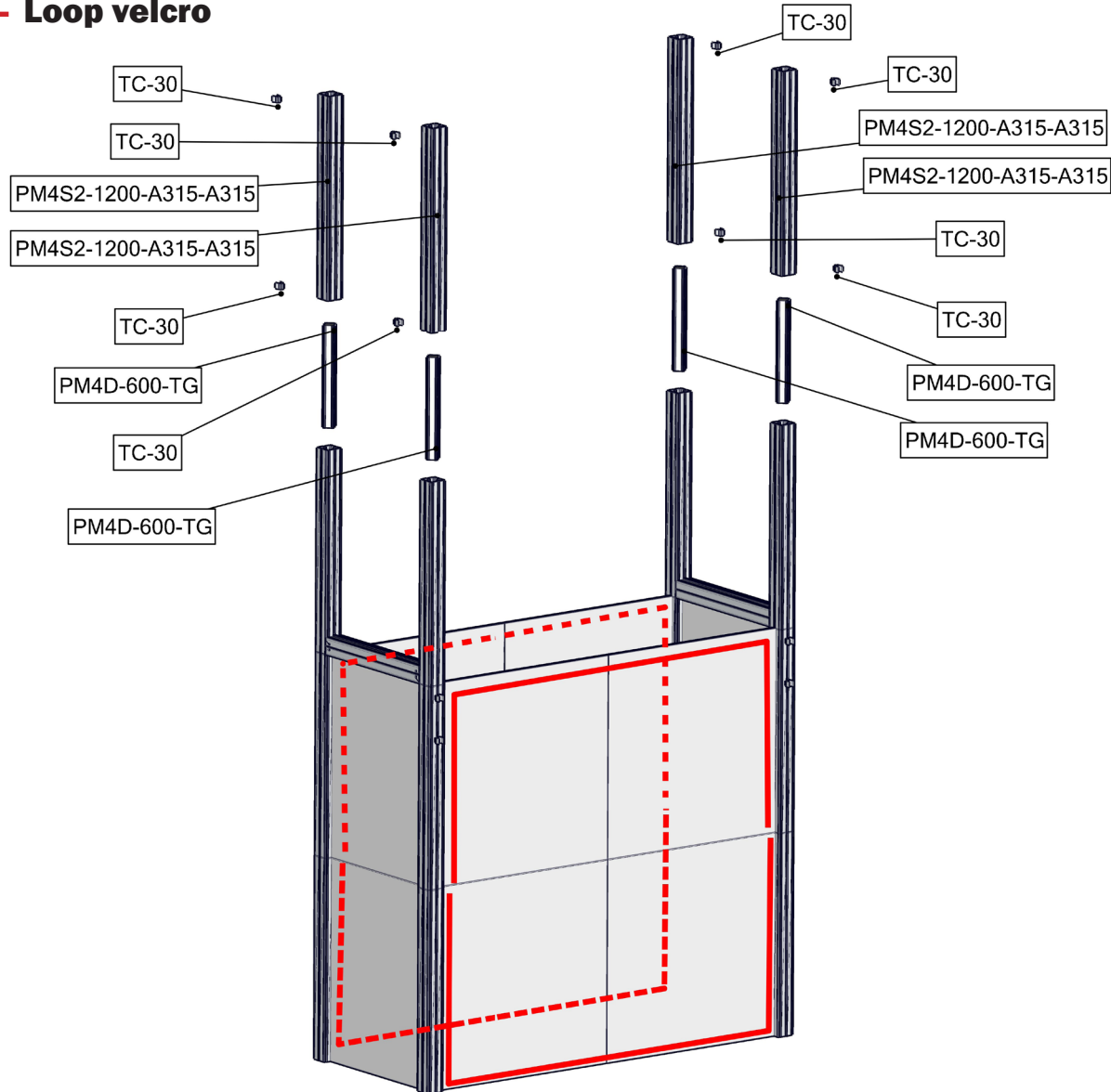
Exploded View

HP-K-17

Section 1.8

Reference the Suggested Layout page for build location.

— **Loop velcro**



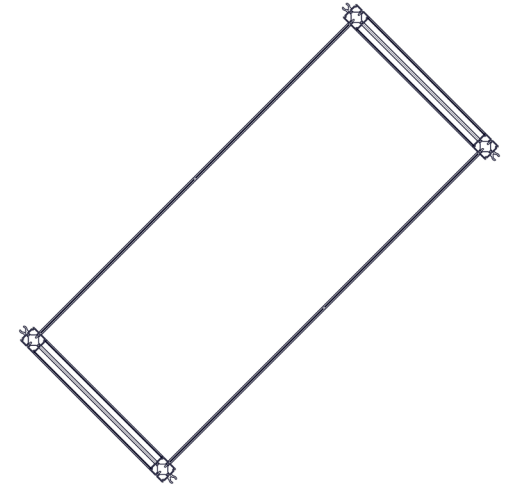
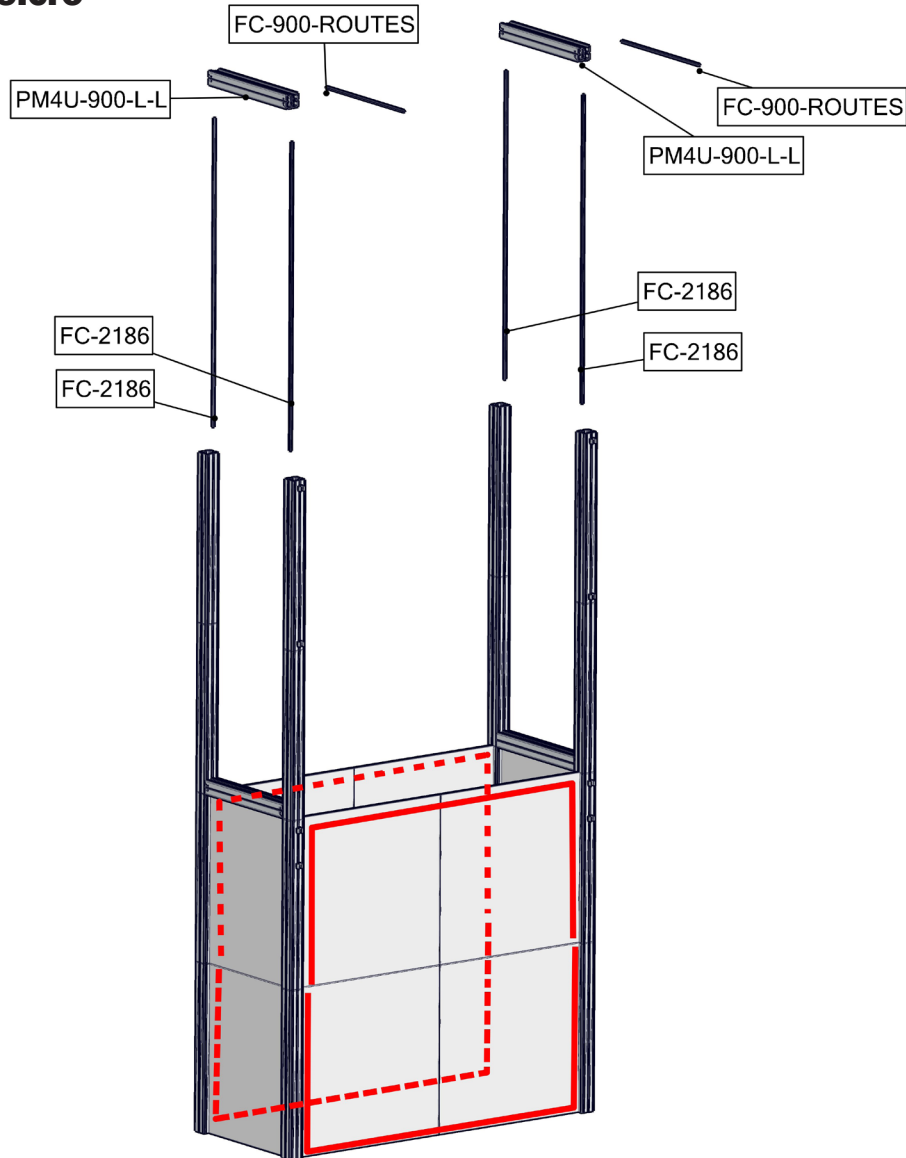
Exploded View

HP-K-17

Section 1.9

Reference the Suggested Layout page for build location.

— **Loop velcro**

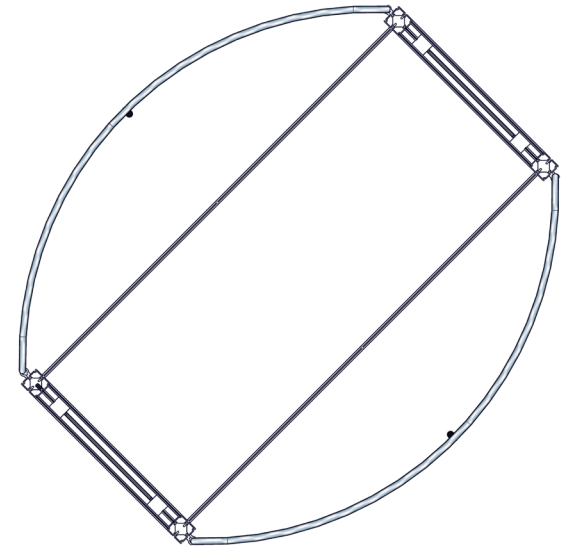
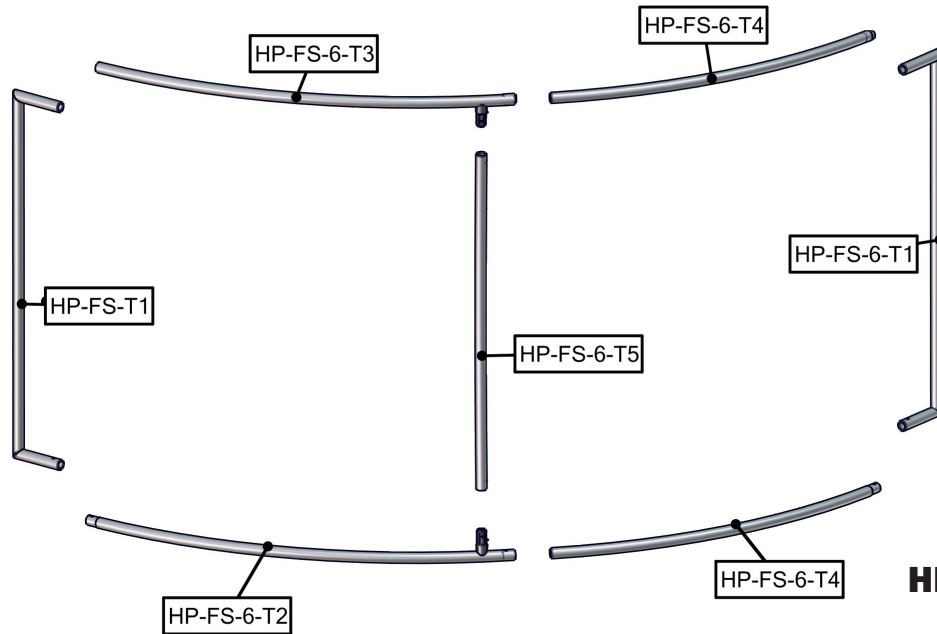


Exploded View

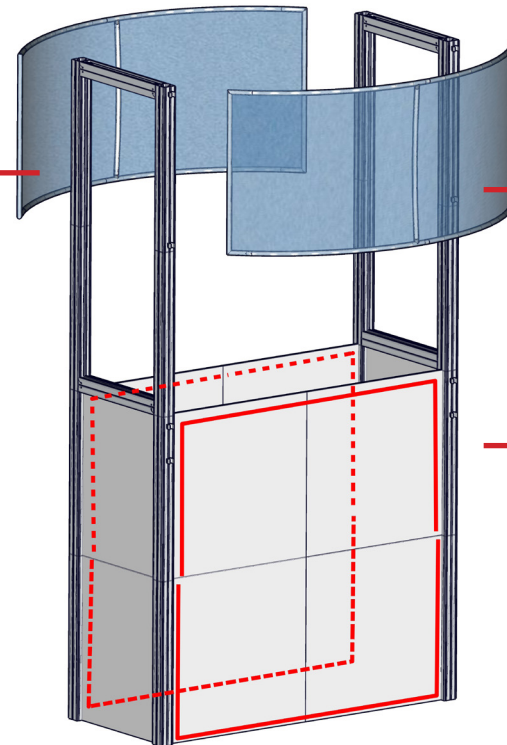
HP-K-17

Section 1.10 HP-FS-6

Reference the Suggested Layout page for build location.



HP-17-D-G



HP-17-C-G

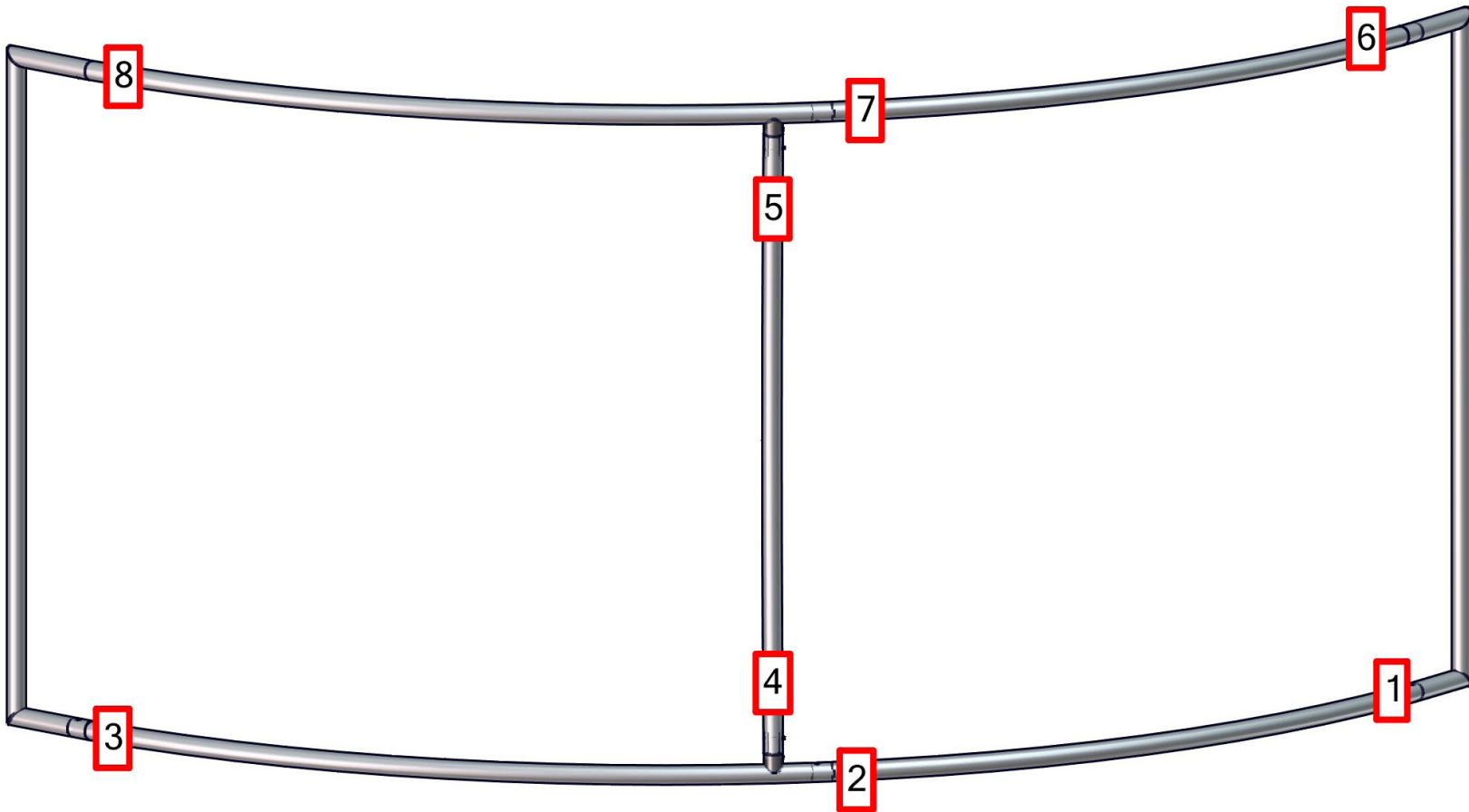
DOOR SIDE

Labeling Diagram

HP-K-17

Section 1.10 HP-FS-6

Reference the Suggested Layout page for build location.



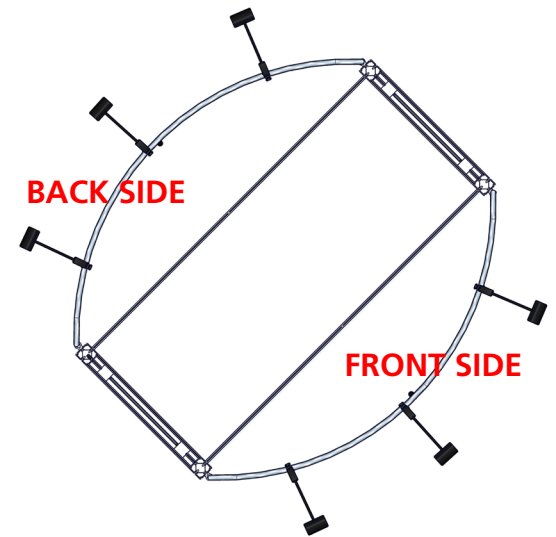
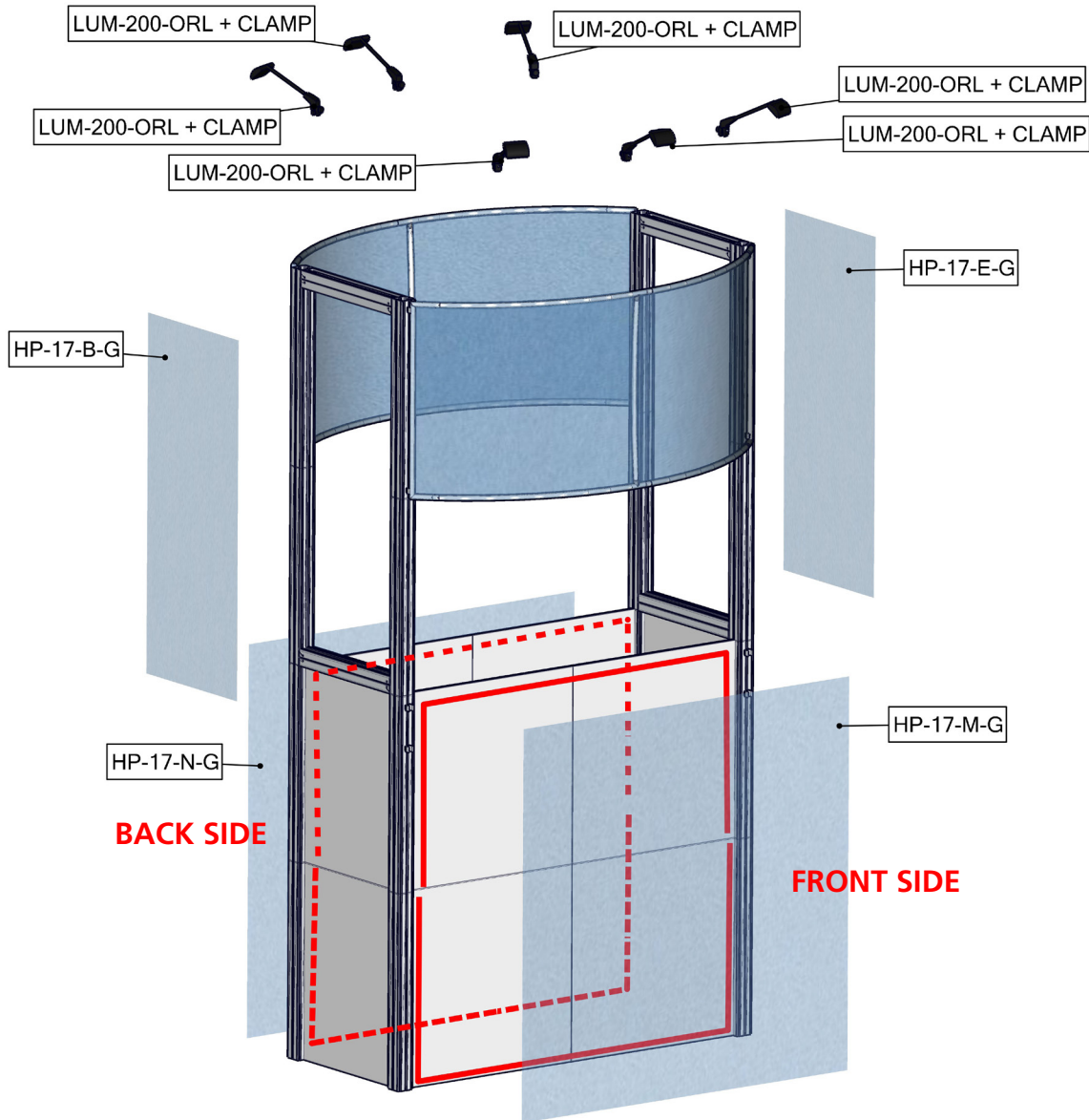
Exploded View

HP-K-17

Section 1.11

Reference the Suggested Layout page for build location.

— Loop velcro



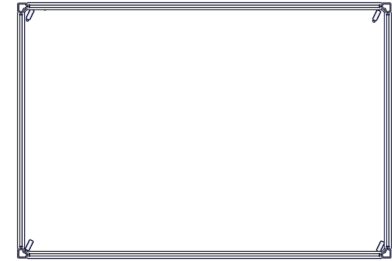
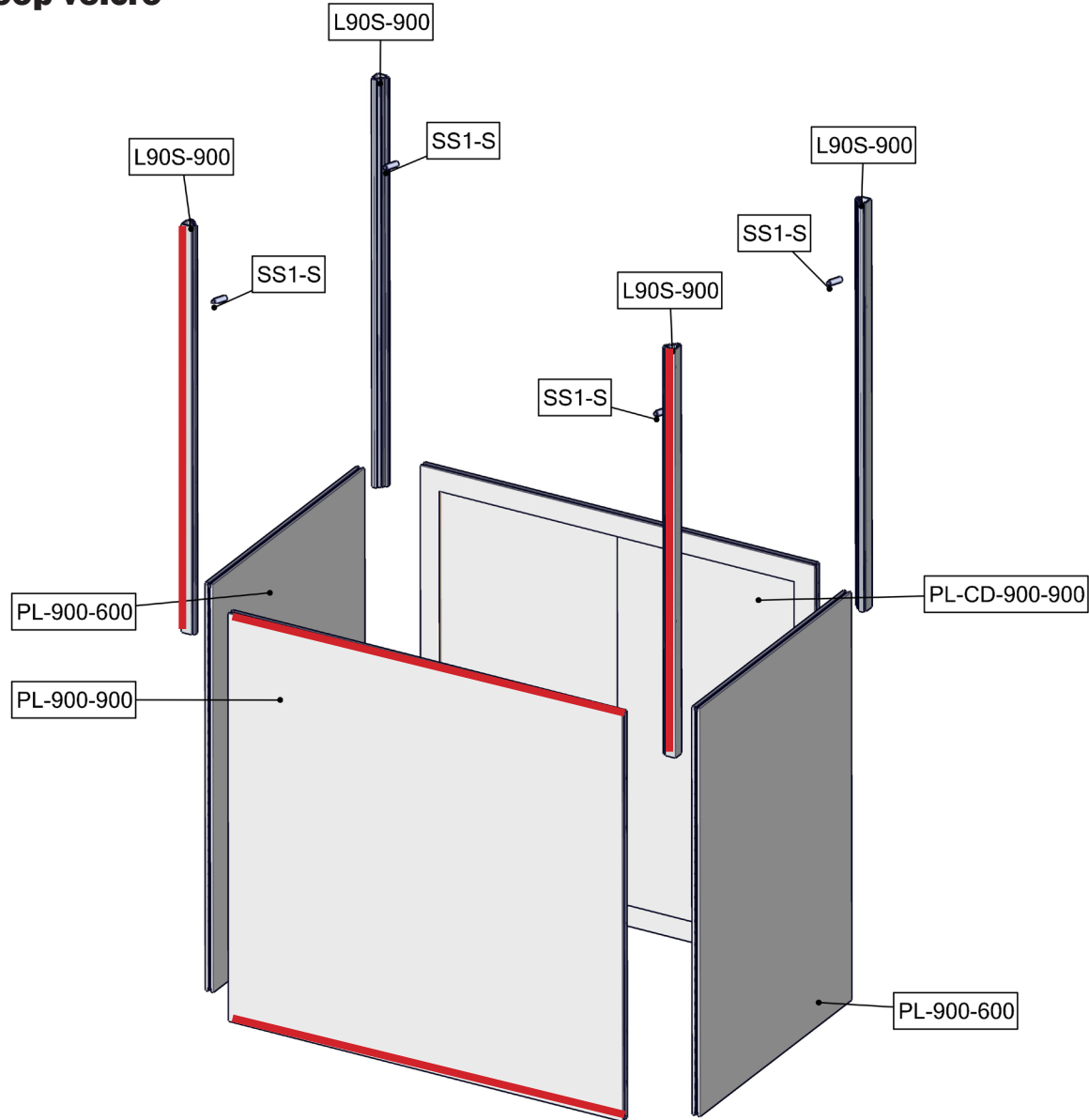
Exploded View

HP-K-17

Section 2.1 Counter 1, 2 & 3

Reference the Suggested Layout page for build location.

— **Loop velcro**



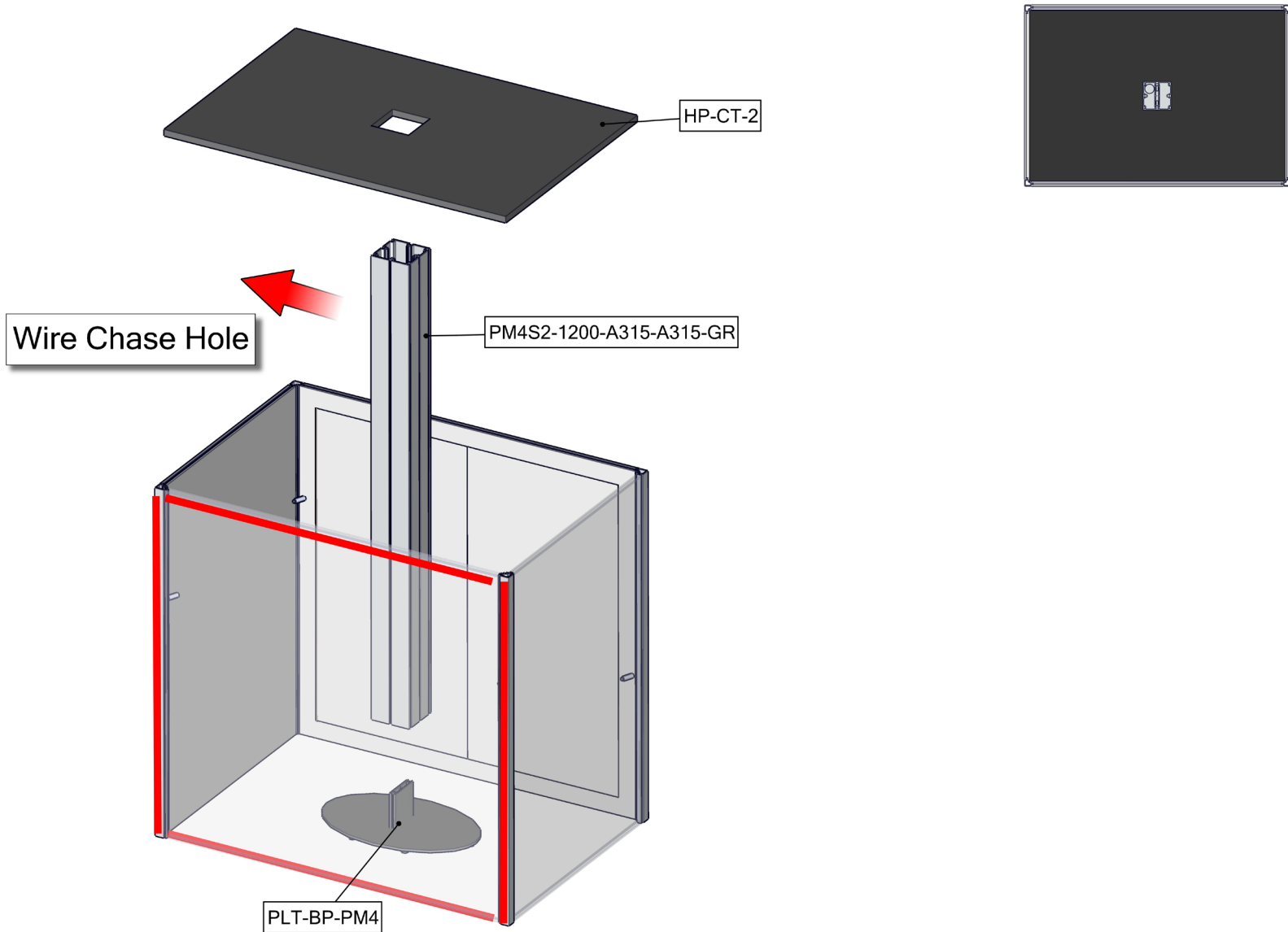
Exploded View

HP-K-17

Section 2.2 Counter 1, 2 & 3

Reference the Suggested Layout page for build location.

— **Loop velcro**



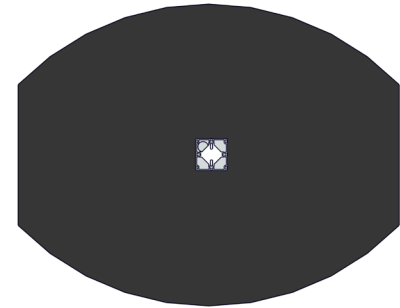
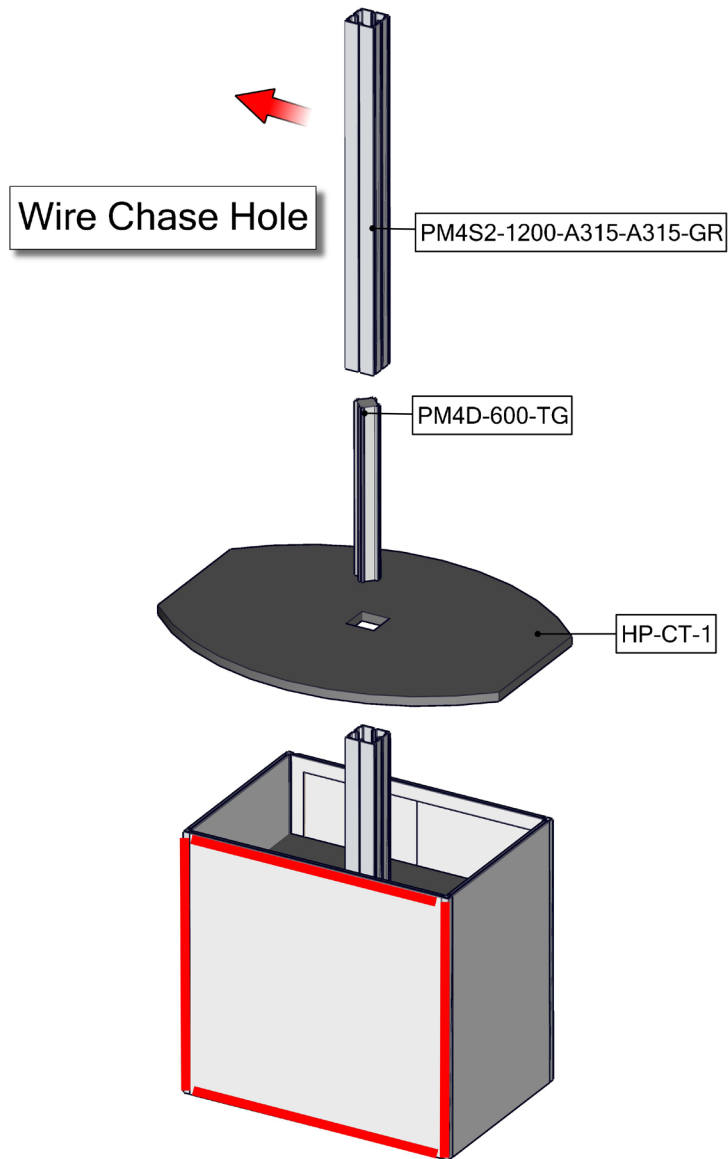
Exploded View

HP-K-17

Section 2.3 Counter 1, 2 & 3

Reference the Suggested Layout page for build location.

— **Loop velcro**



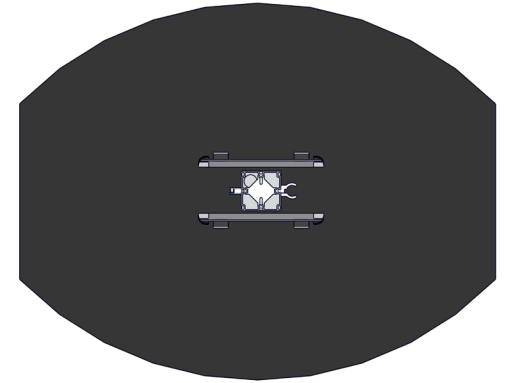
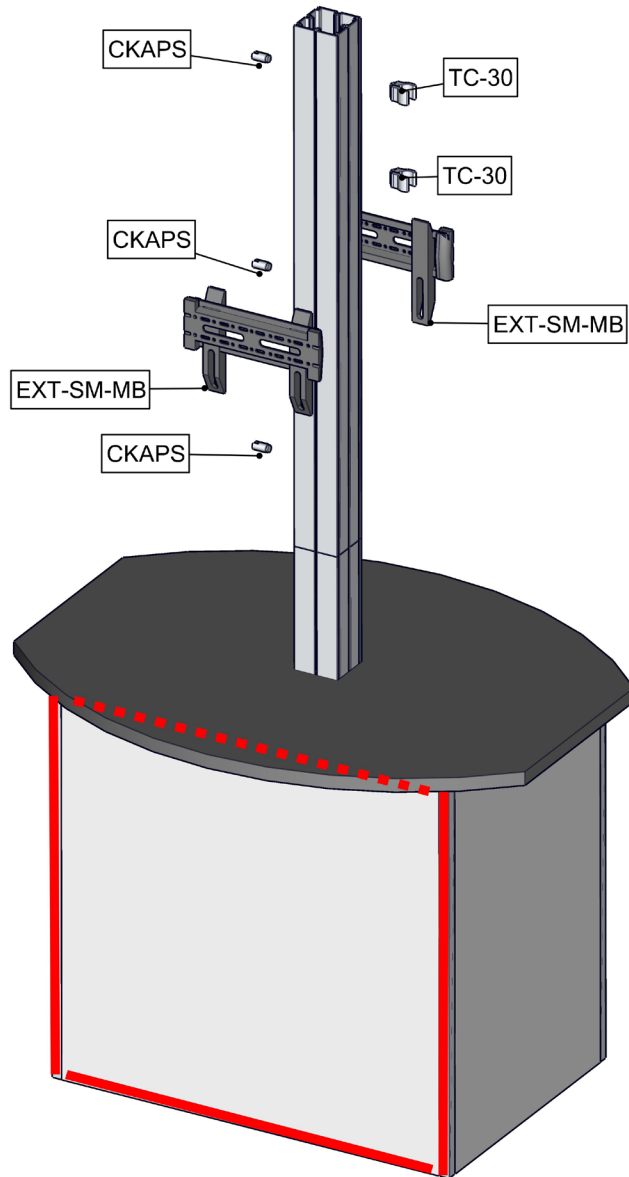
Exploded View

HP-K-17

Section 2.4 Counter 1

Reference the Suggested Layout page for build location.

— Loop velcro



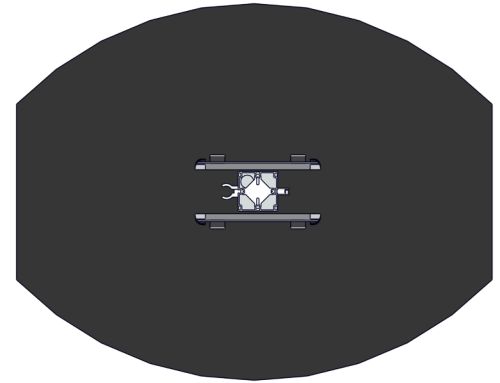
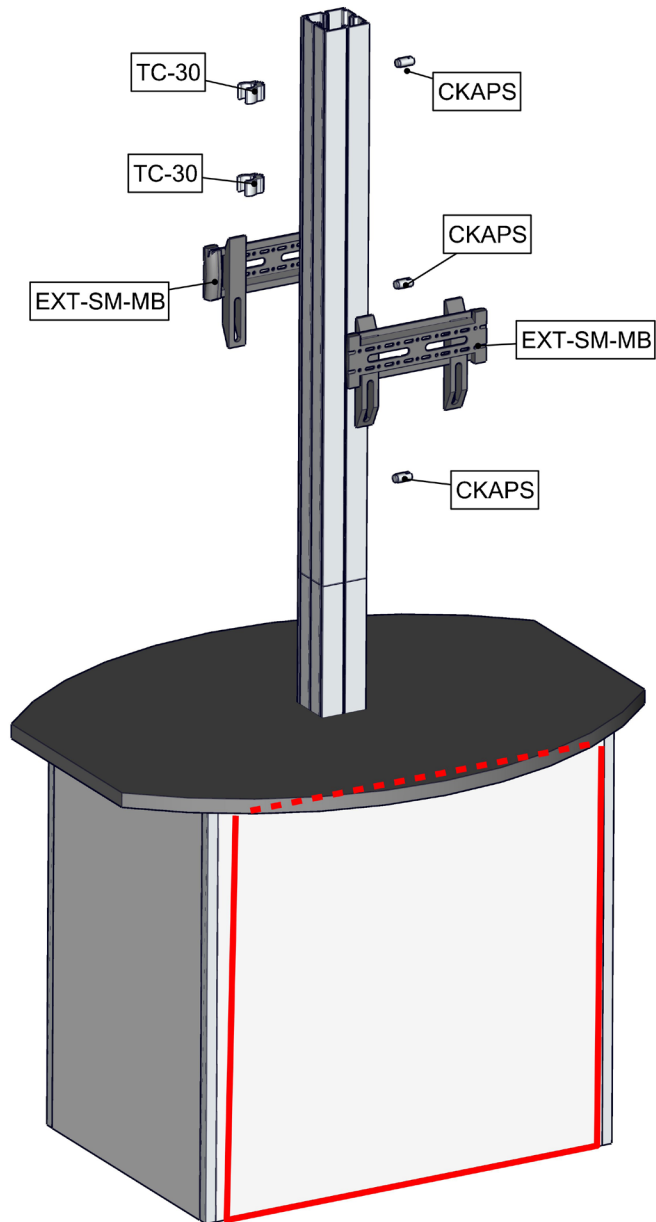
Exploded View

HP-K-17

Section 2.5 Counter 2

Reference the Suggested Layout page for build location.

— Loop velcro



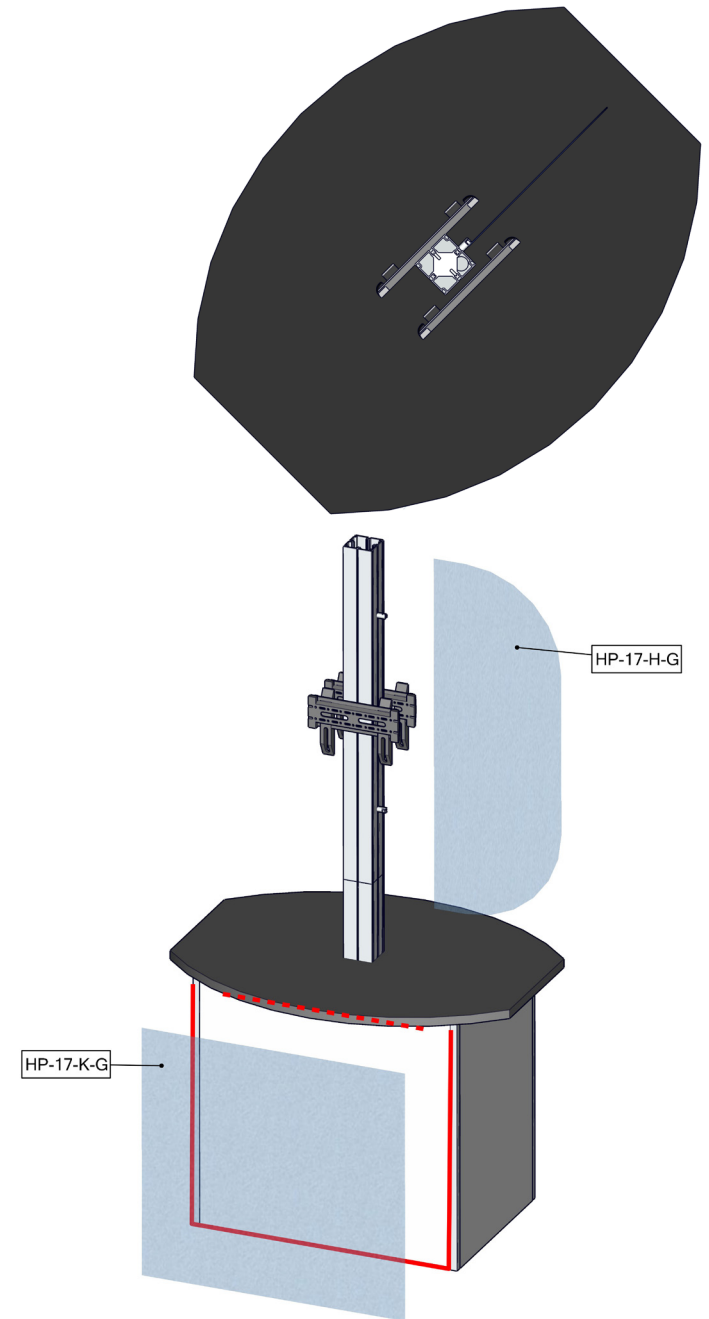
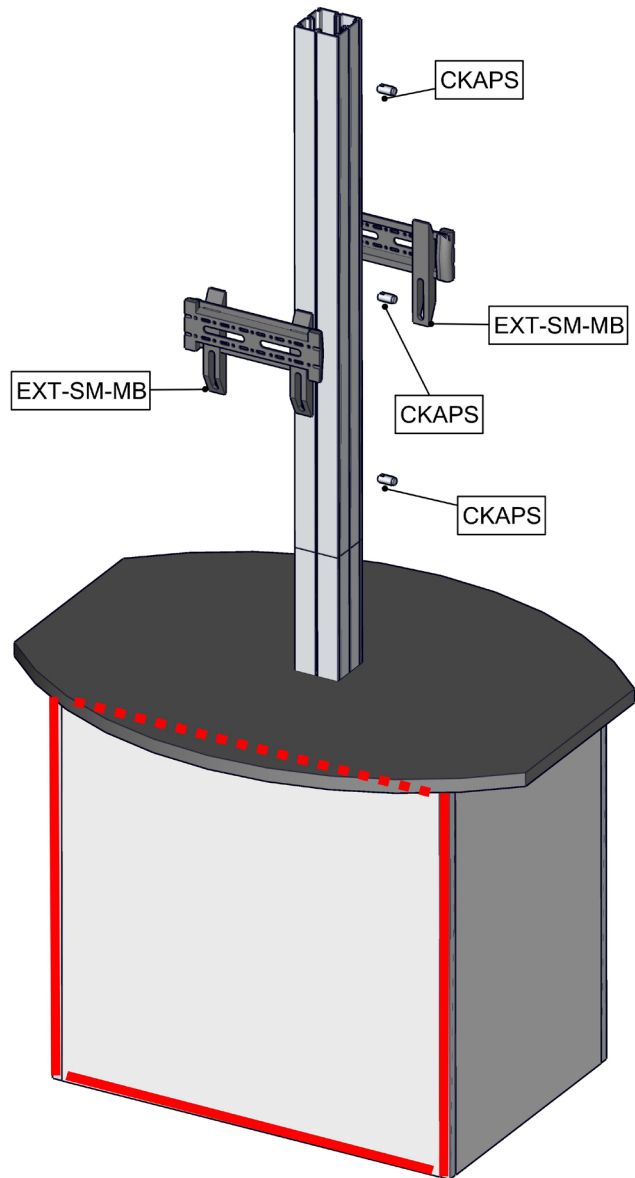
Exploded View

HP-K-17

Section 2.6 Counter 3

Reference the Suggested Layout page for build location.

— Loop velcro

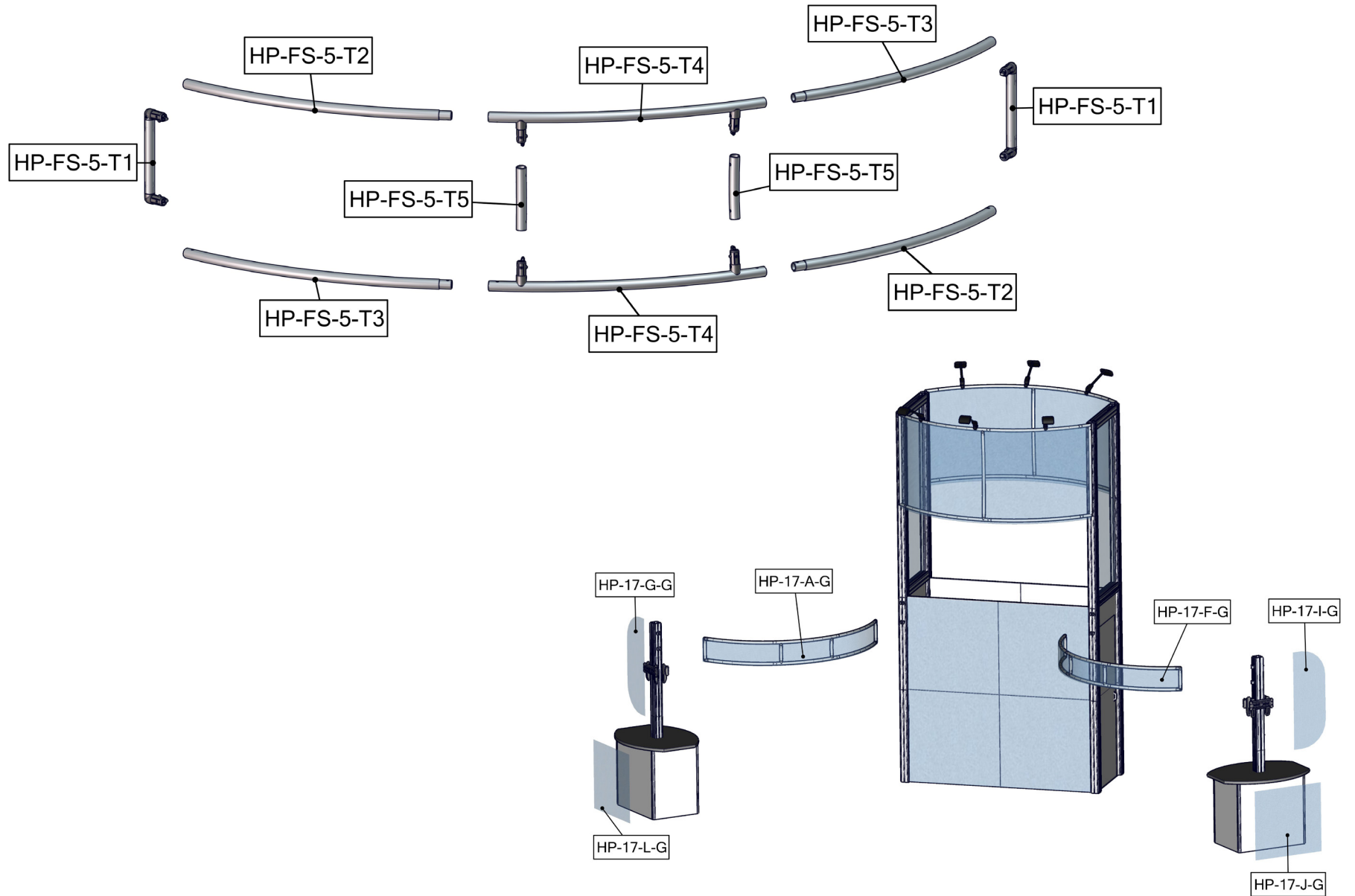


Exploded View

HP-K-17

Section 3.1 HP-FS-5

Reference the Suggested Layout page for build location.

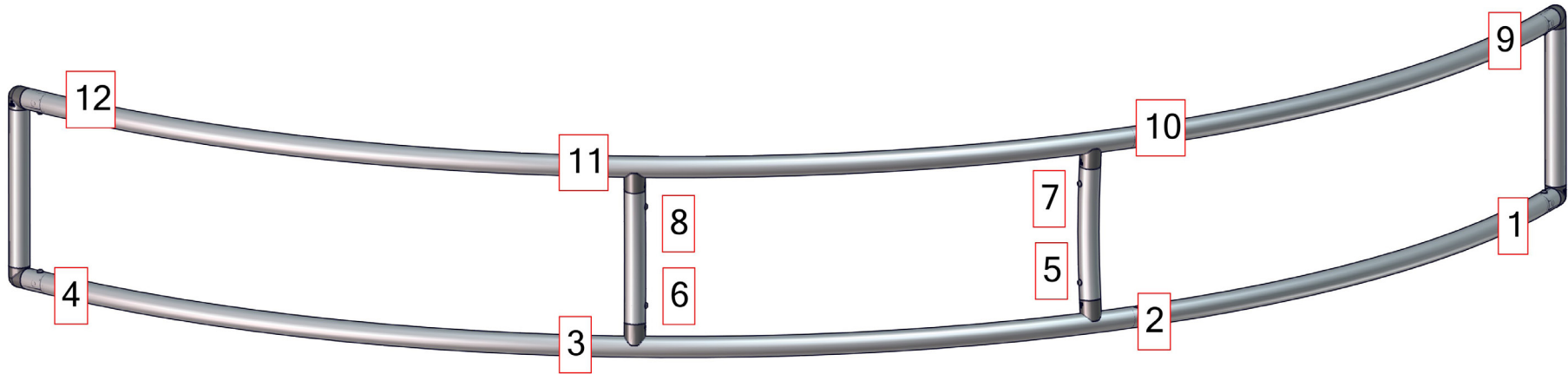


Labeling Diagram

HP-K-17

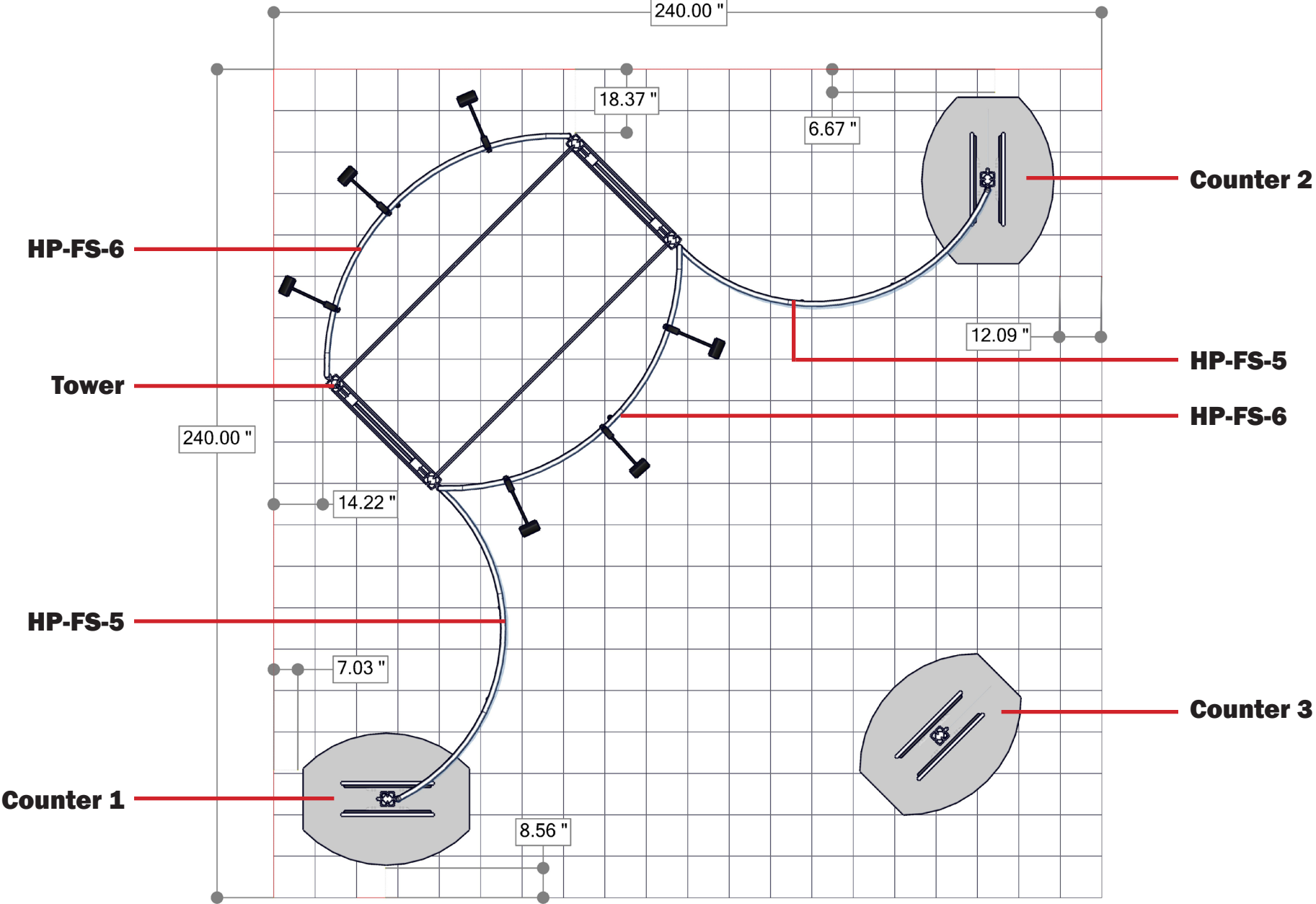
Section 3.1 HP-FS-5

Reference the Suggested Layout page for build location.



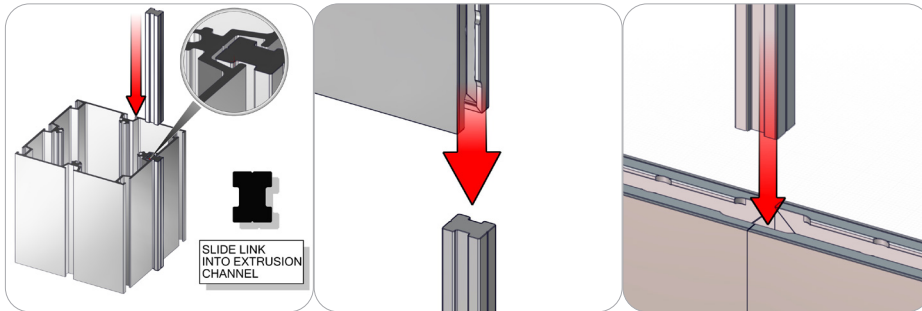
Suggested Layout

HP-K-17



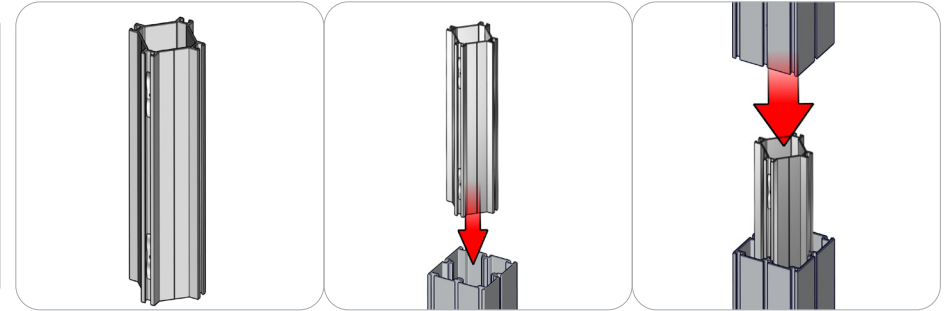
Connection Methods

Connection Method 1: LN180N



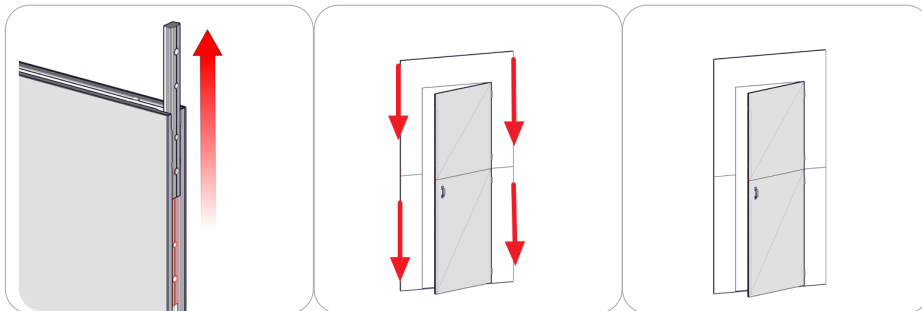
The LN180 extrusion link can be used with most extrusion profiles and laminate panels. Simply slide the LN180 into the channels of the extrusion profile or side of the laminate panels. Some extrusions and laminate panels may have tension glides to hold the LN180 link in place. You should never have to force the LN180 link into any channels. Make sure the LN180 link is straight before you try to install it.

Connection Method 2: PM4D-600-TG



First, take the PM4DSC connector and align it with the internal channels of the next extrusion. Second, slide the connector into the inside channels of the extrusion. The tension glides on the connector will keep it center and snug. The extrusion will have stop pins pre installed to stop it from sinking in. Third, take the next extrusion and apply it on top of the connector completing your connection.

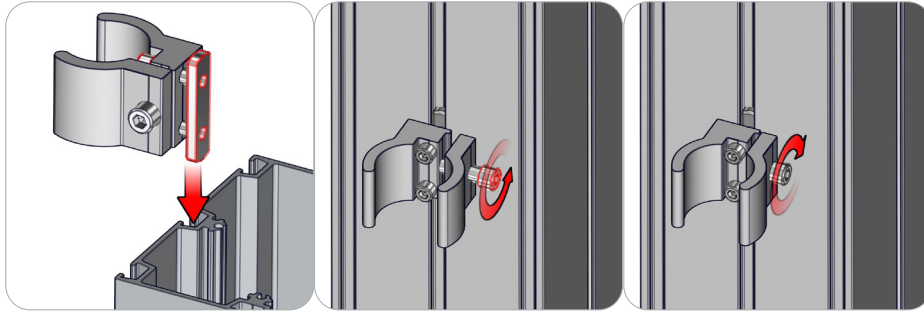
Connection Method 3: PL-DP-900-2400-FULL



First, take the bottom half of the door and find the horizontal link bar that keeps the door from opening. Loosen and remove the horizontal link bar to release the door opening. Second, attach the same link bar vertically half way into the top of the bottom door panel. Third, loosen the vertical link bars, slide them up and half way out of the bottom of door panels. Fourth, there should be 5 vertical link bars half way out of the bottom door panels. Make sure they are secured and locked in place. Carefully slide the link bars into the top half and tighten them in place.

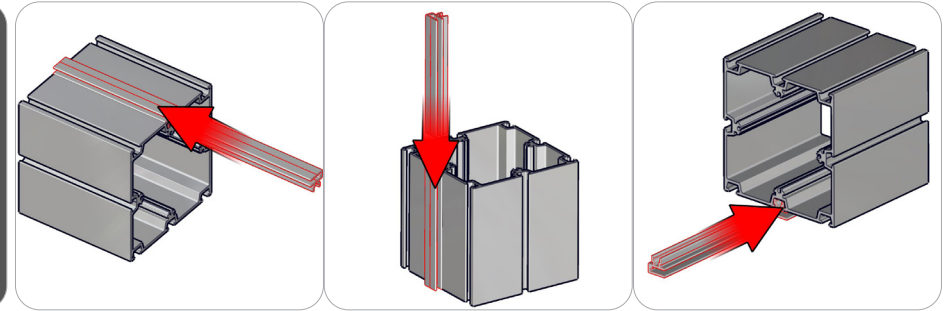
Connection Methods

Connection Method 4: TC-30



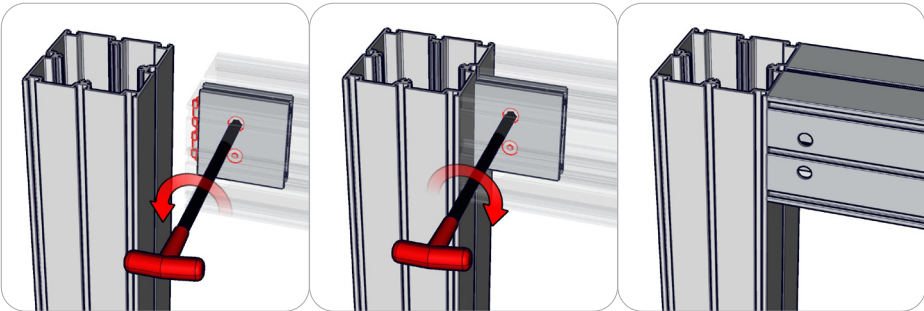
First, loosen the channel bar with the two set screws on the inside of the tube clamp. Do not disassemble it. Slide the clamp channel bar into the desired extrusion channel. Once it is in the desired location, tighten the channel bar screws. Second, loosen the clamp with the side set screw. Do not disassemble it.

Connection Method 5: FC



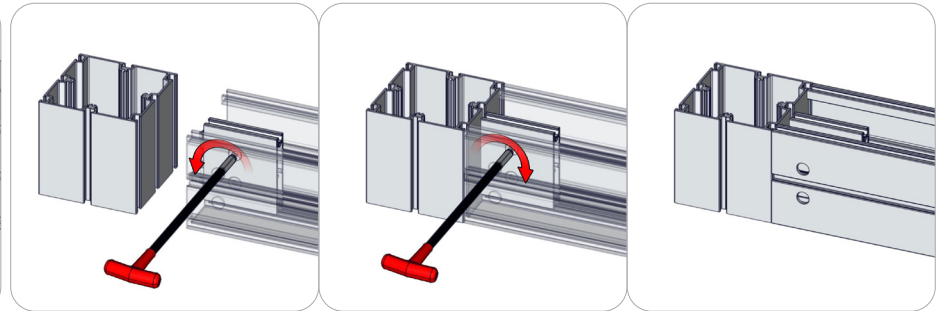
Take the Fabric Channel extrusion (FC) and align it with the desired channel of the next extrusion. Simply slide the FC extrusion into the channels of the extrusion. When making a frame with FC, make sure the channels are all facing in the same direction and are aligned from channel to channel.

Connection Method 6: PM4S2-L



First, with the cam lock disengaged, place the cam lock teeth into the extrusion channel. Second, use the allen key tool to lock it in place. Make half turns clock-wise to engage the cam lock. Do not over tighten the lock buttons.

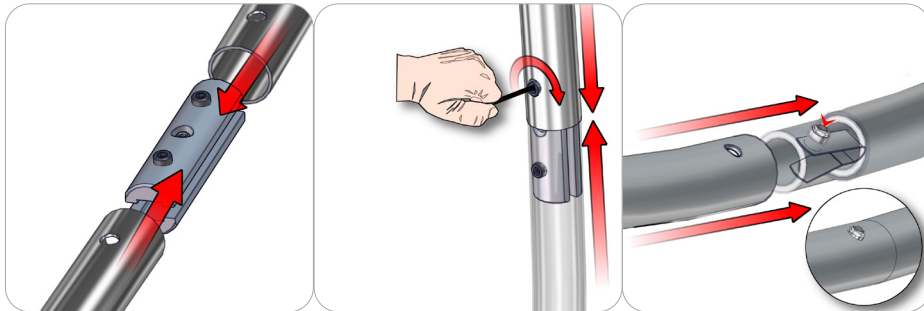
Connection Method 7: PM4U-L



First, with the cam lock disengaged, place the cam lock teeth into the extrusion channel. Second, use the allen key tool to lock it in place. Make half turns clock-wise to engage the cam lock. Do not over tighten the lock buttons.

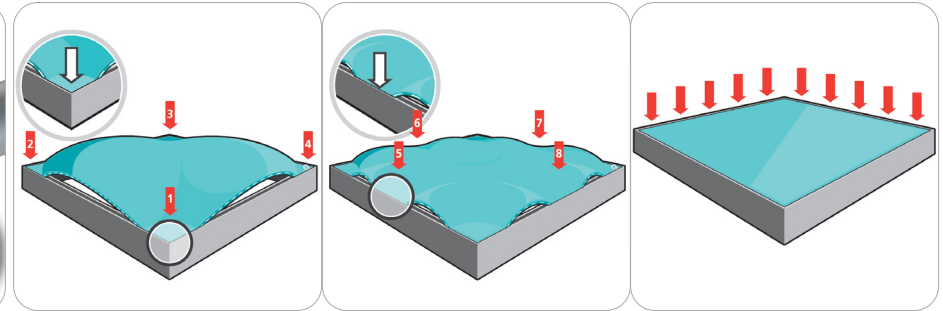
Connection Methods

Connection Method 8: ES30 / ES50 / SNAP BUTTONS



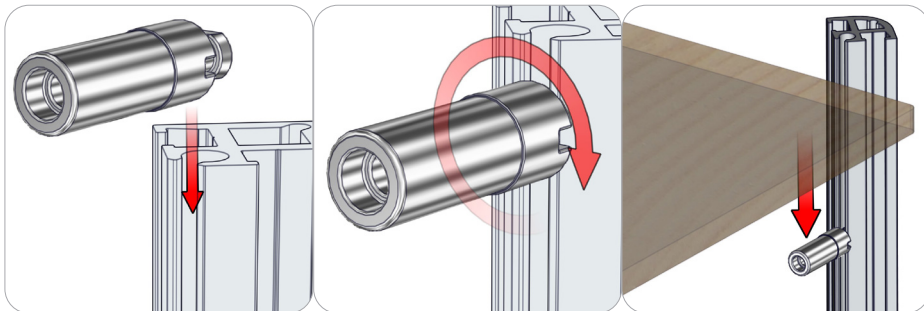
For spigot connections, compress the unlocked connector and slide into the tube lock access hole. Lock both screws carefully using your allen key tool. Be sure to lock securely, but do not over tighten. For snap button connections, locate the snap button on the connector or swage tube. Locate the hole on the corresponding tube. Press the snap button with your thumb and slide the tube and connector together so that the snap button snaps fully into the lock hole. To disassemble, press the snap button and pull apart.

Connection Method 9: FC Channel Graphic Application



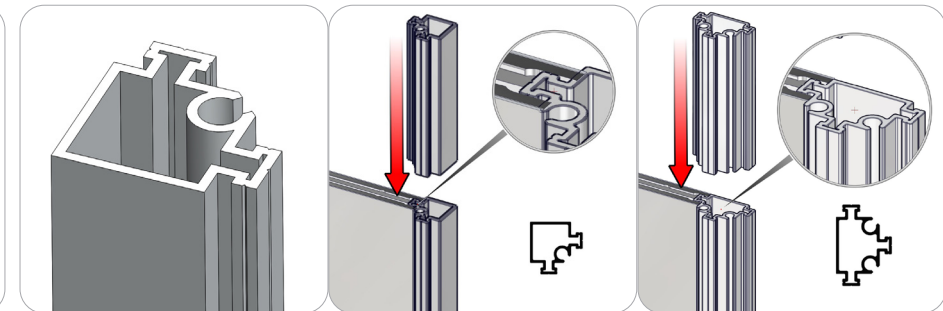
First, insert the silicone edge frame corners into the frame graphic channel (points 1 through 4). Second, insert the silicone edge frame sides into the frame graphic channel (points 5 through 8). Third, push the remaining silicone edge fabric into the frame graphic channel. Similar setup is recommended for the opaque liner. To remove these panels, simply pull the loop tag sewn near a corner.

Connection Method 10: SS1-1



First, take the shelf support and loosen the set screw to about a 1/4 inch gap. Do not remove it. Second, slide the shelf support into the 3mm center channel. Turn the shelf support clock wise to lock it in place. Third, rest the shelf onto the shelf support. Loosen the shelf support to adjust and level.

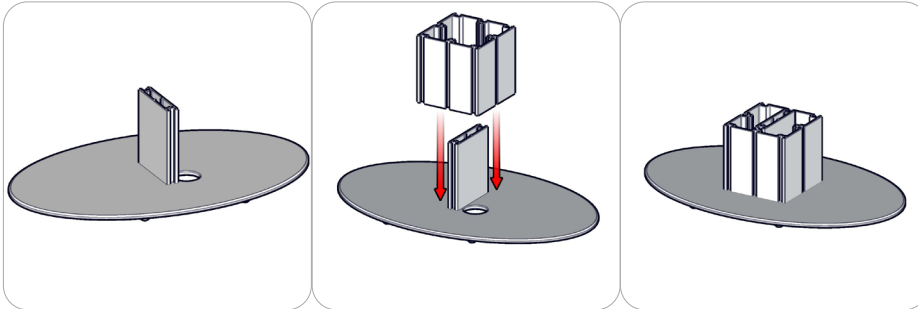
Connection Method 11: Link Profiles



Take the link profile extrusion and slide it into the channel of the next component. There maybe tension glides in that channel, they will help hold the link in place. Make sure the link profile connection is flush at both ends.

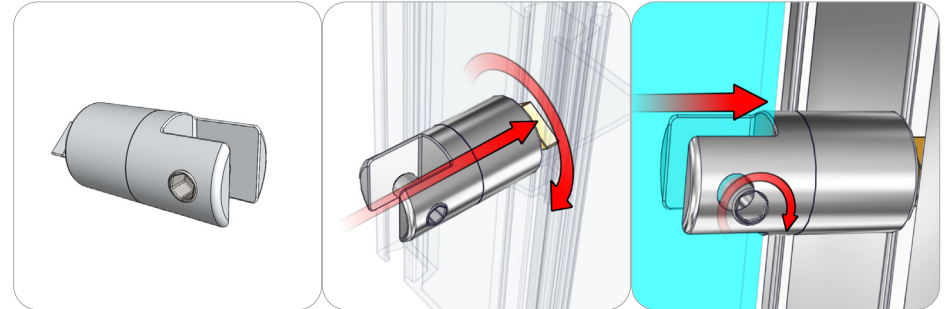
Connection Methods

Connection Method 12: PM4BP1



Slide the extrusion post onto the PH2 upright of the base plate. There may be tension glides in that channel, they will help hold the post in place. Also, the base plate may have a hole for wire management.

Connection Method 13: CKAPS



First, screw the CKAPS, clockwise, into the channel until it is tight. Loosen the head screw and make sure the slit in the head is running the correct direction, then tighten back into place. Second, loosen the hex bolt screw and insert the SINTRA and tighten into place. Do not over tighten.

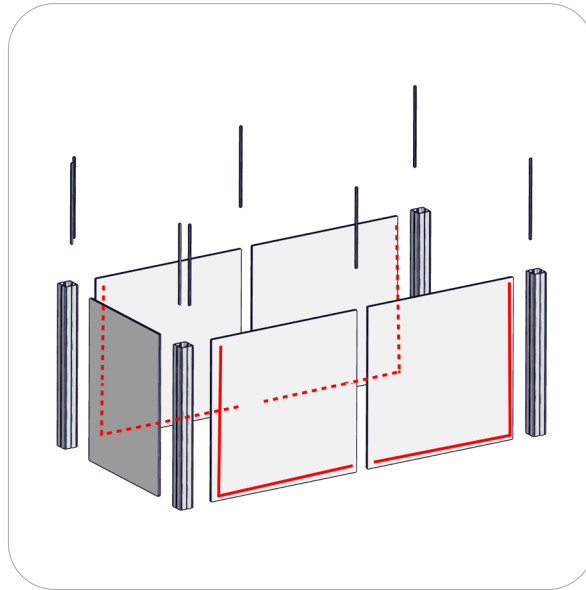
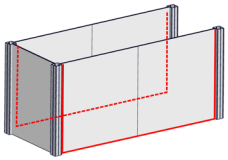
Kit Assembly

Step by Step

Step 1.

Gather the components to build the tower. Use the Exploded View Section 1.1 for part labels and reference the Suggested Layout page for build location.

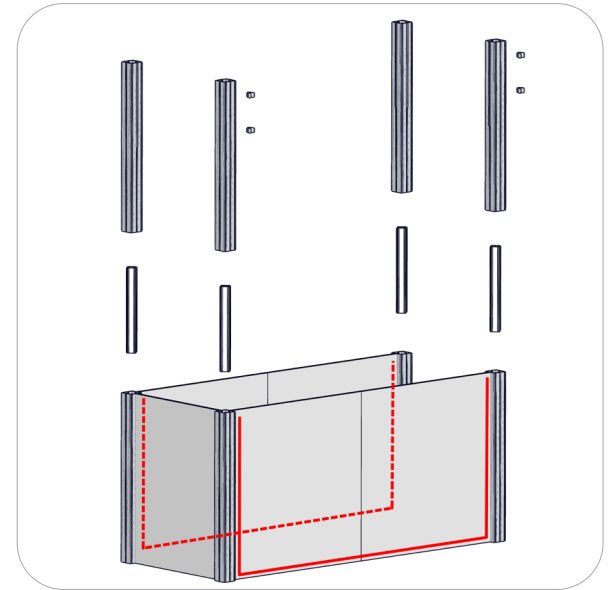
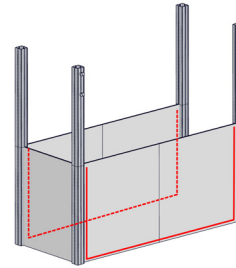
Reference Connection Method(s) 1 for more details.



Step 2.

Gather the components to build the tower. Use the Exploded View Section 1.2 for part labels.

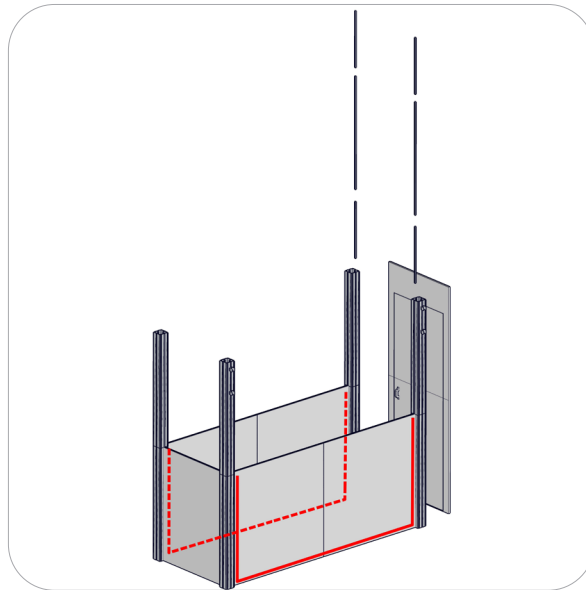
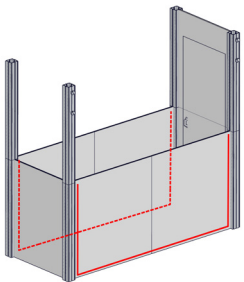
Reference Connection Method(s) 2 and 4 for more details.



Step 3.

Gather the components to build the tower door. Use the Exploded View Section 1.3 for part labels.

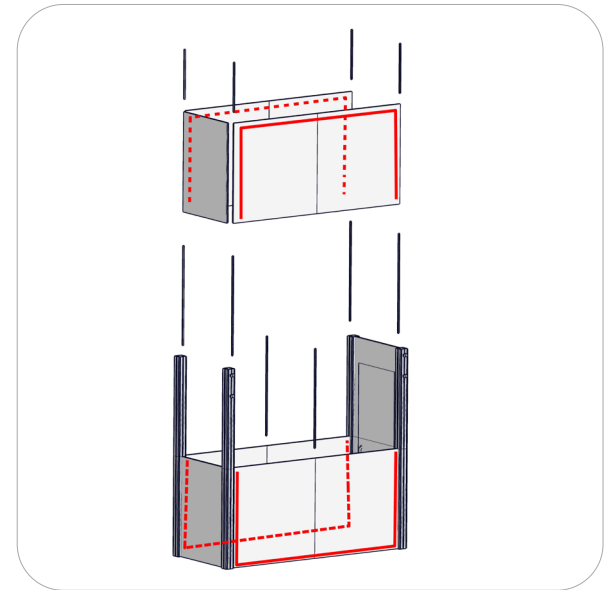
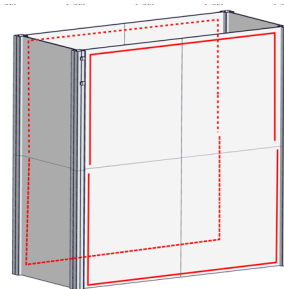
Reference Connection Method(s) 1 and 3 for more details.



Step 4.

Gather the components to build the tower. Use the Exploded View Section 1.4 for part labels.

Reference Connection Method(s) 1 for more details.



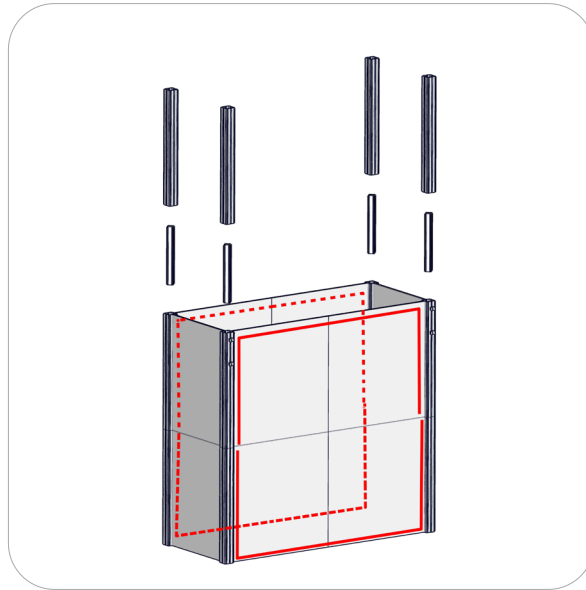
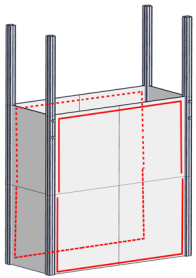
Kit Assembly

Step by Step

Step 5.

Gather the components to build the tower. Use the Exploded View Section 1.5 for part labels.

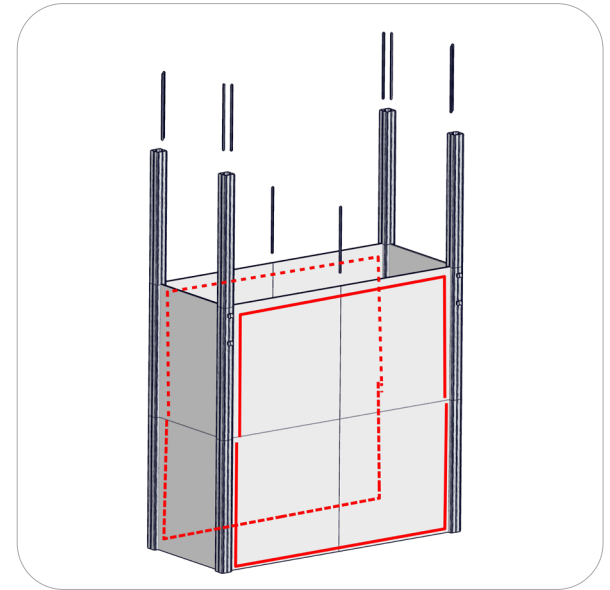
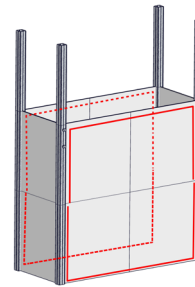
Reference Connection Method(s) 2 for more details.



Step 6.

Gather the components to build the tower. Use the Exploded View Section 1.6 for part labels.

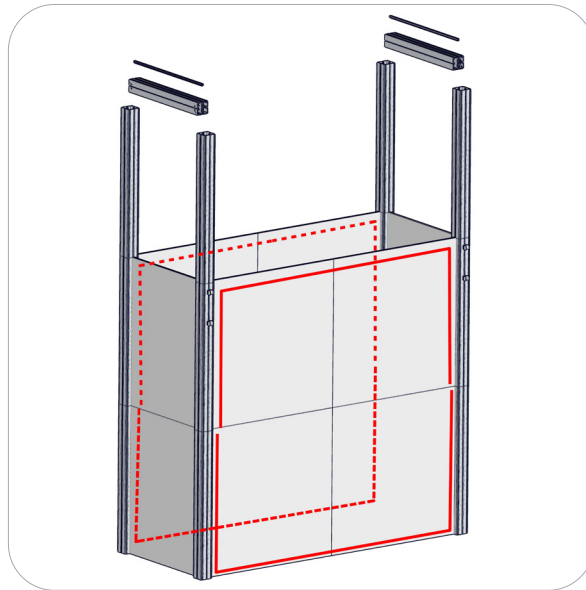
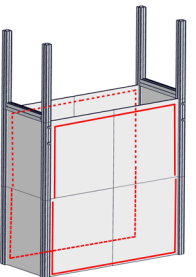
Reference Connection Method(s) 1 for more details.



Step 7.

Gather the components to build the tower. Use the Exploded View Section 1.7 for part labels.

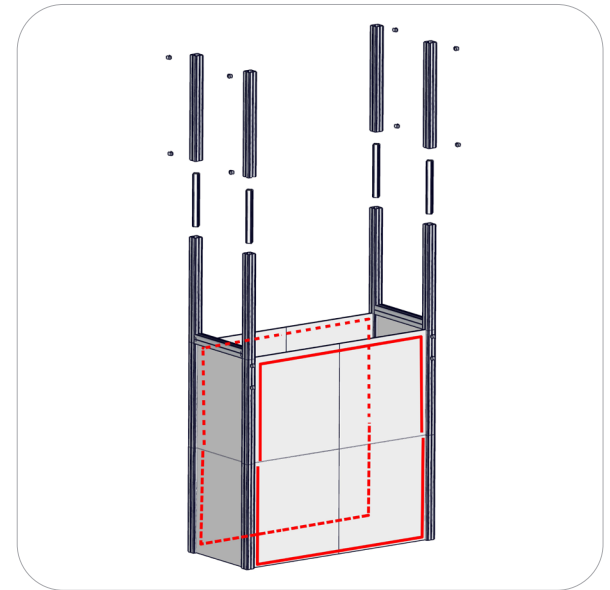
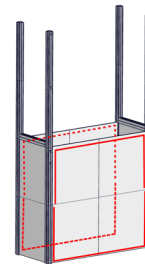
Reference Connection Method(s) 5 and 6 for more details.



Step 8.

Gather the components to build the tower. Use the Exploded View Section 1.8 for part labels.

Reference Connection Method(s) 2 and 4 for more details.



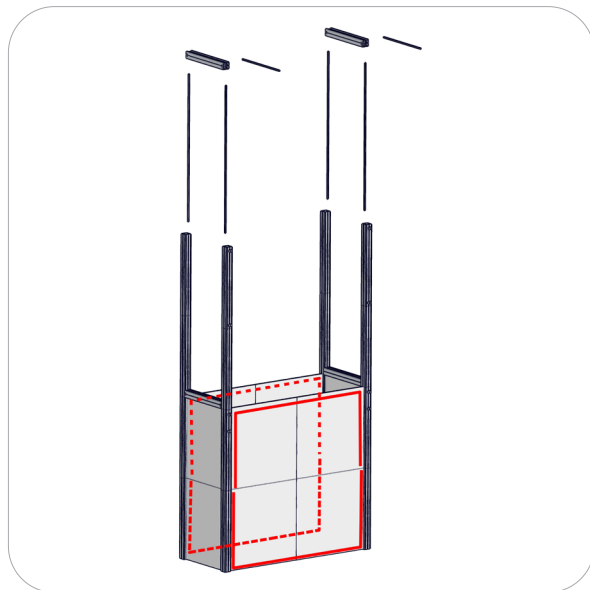
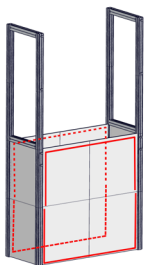
Kit Assembly

Step by Step

Step 9.

Gather the components to build the tower. Use the Exploded View Section 1.9 for part labels.

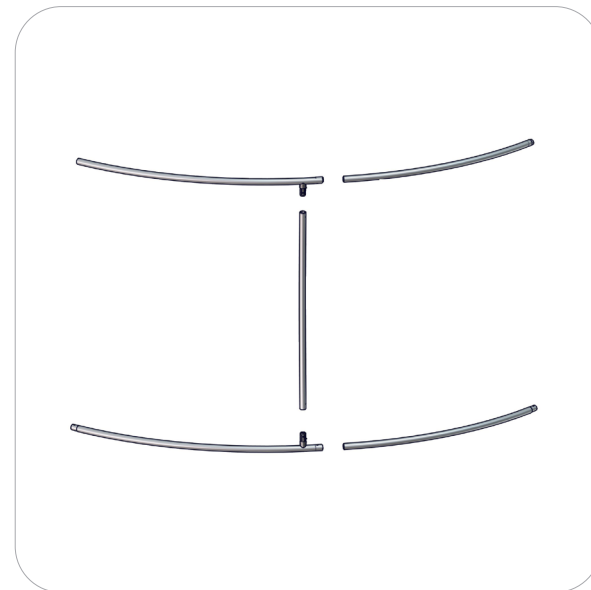
Reference Connection Method(s) 5 and 7 for more details.



Step 10.

Gather the components to build the center of the HP-FS-6 frame. Use the Exploded View and the Labeling Diagram 1.10 for part labels. Make 2.

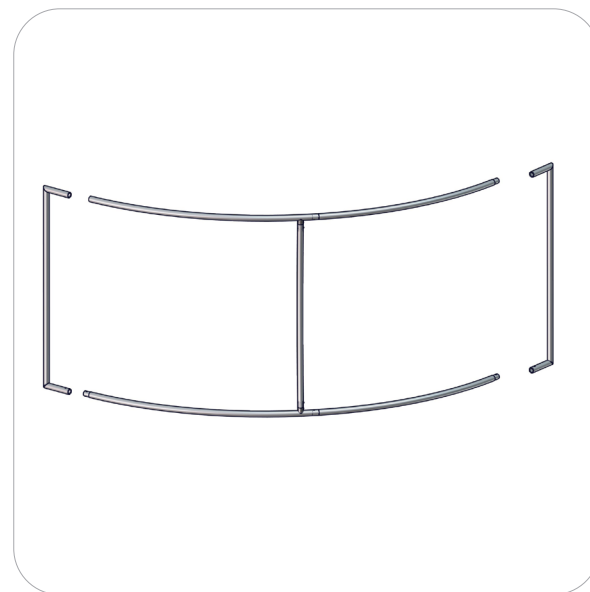
Reference Connection Method 8 for more details.



Step 11.

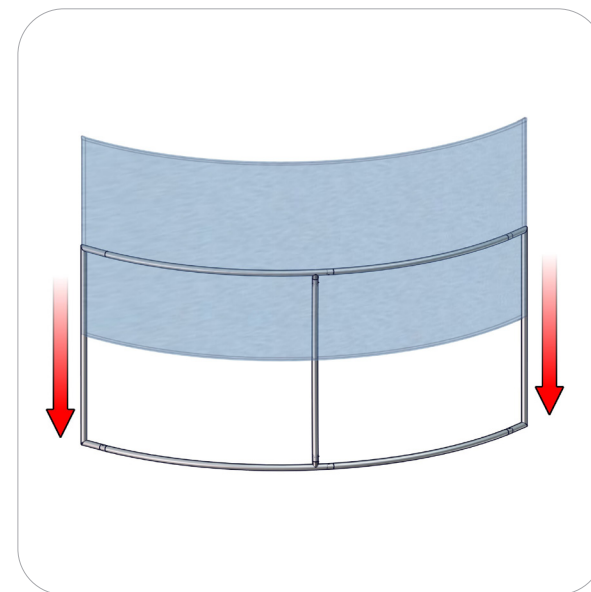
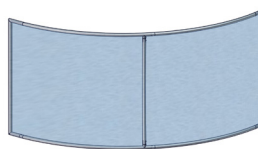
Gather the components to build the ends of the HP-FS-6 frame. Use the Exploded View and the Labeling Diagram 1.10 for part labels. Make 2.

Reference Connection Method 8 for more details.



Step 12.

Apply the pillow case over the HP-FS-6 frame. Zipper it closed at the bottom. Make 2.



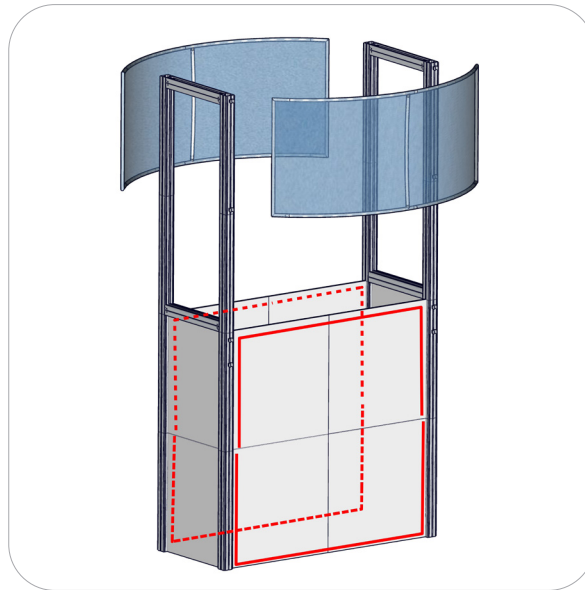
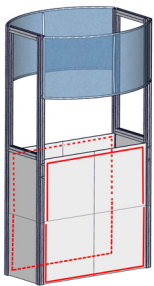
Kit Assembly

Step by Step

Step 13.

Use the tube clamps for attaching the HP-FS-6 headers onto the tower. Use the Exploded View 1.10 for graphic location.

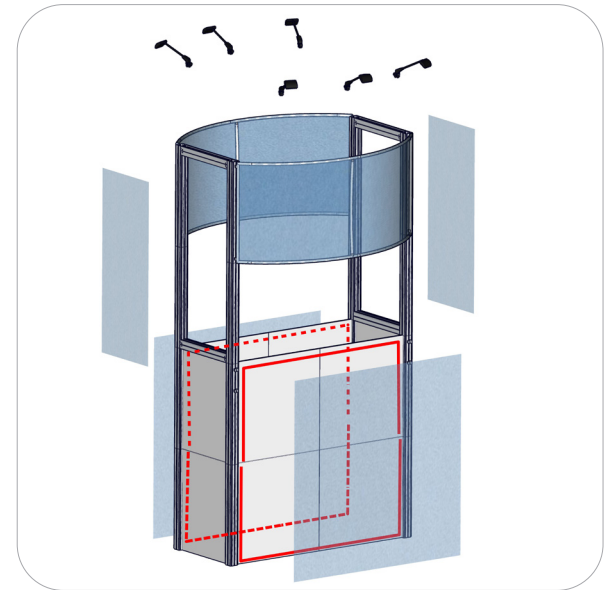
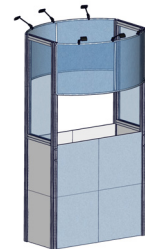
Reference Connection Method(s) 4 for more details.



Step 14.

Attach the spot lights with the provided clamps on the HP-FS-6 headers. Use the Exploded View 1.11 for graphic attachment location. Tower setup complete.

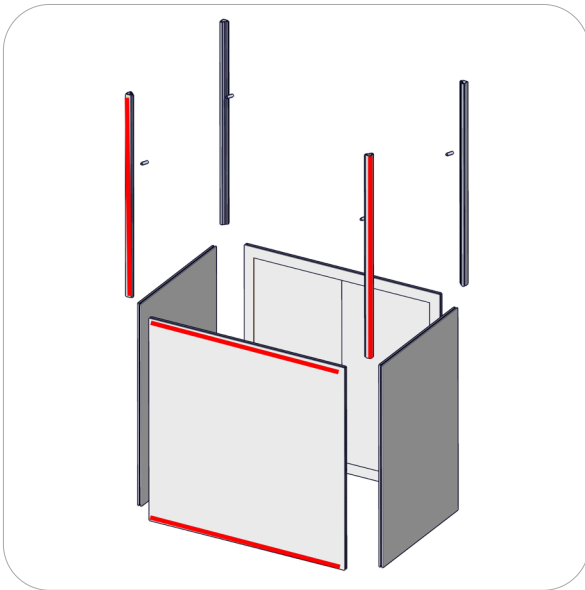
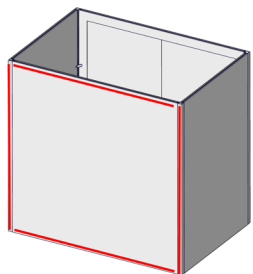
Reference Connection Method(s) 9 for more details.



Step 15.

Gather the components to build the counter cabinet. Use the Exploded View 2.1 for part labels and reference the Suggested Layout page for build location. Make 3.

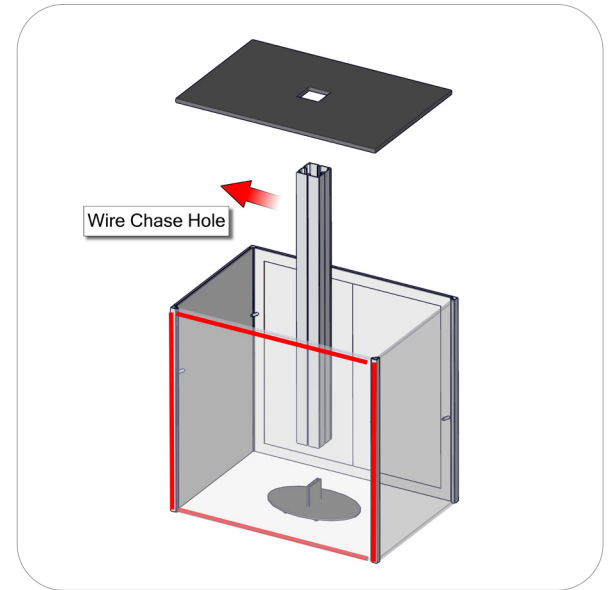
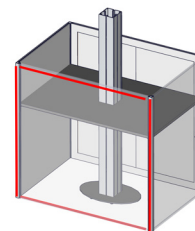
Reference Connection Method(s) 10 and 11 for more details.



Step 16.

Gather the components to build the counter internal supports. Use the Exploded View 2.2 for part labels. Make 3.

Reference Connection Method(s) 10 and 12 for more details.



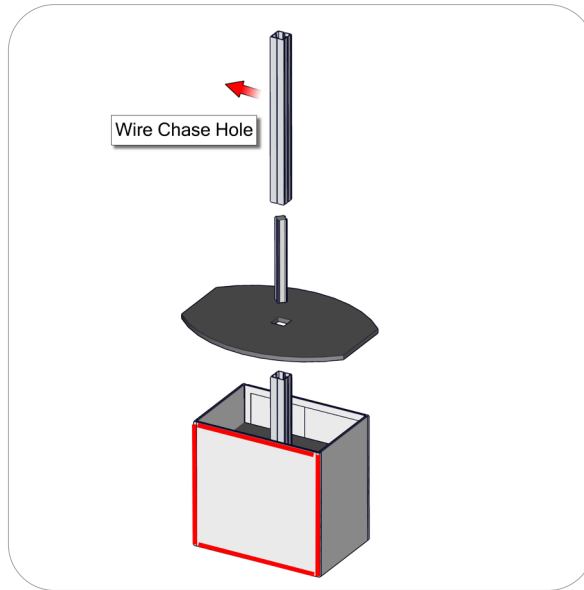
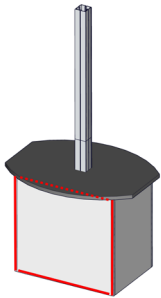
Kit Assembly

Step by Step

Step 17.

Gather the components to build the counter top and post. Use the Exploded View 2.3 for part labels. Make 3.

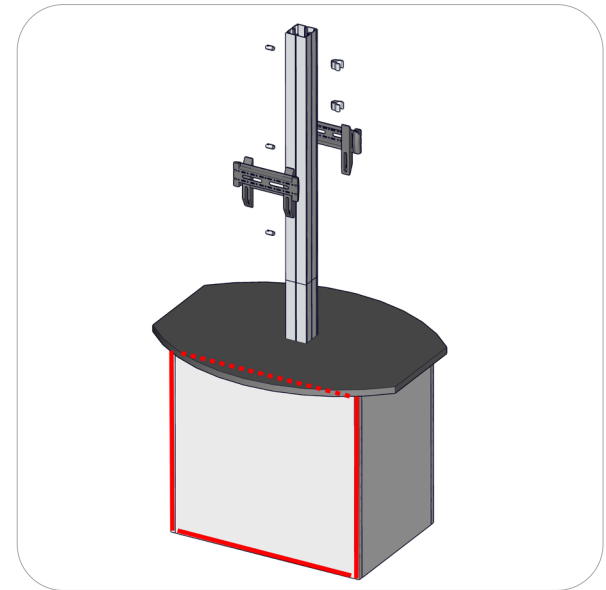
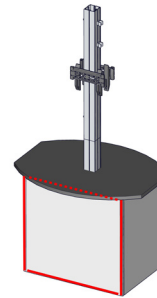
Reference Connection Method(s) 2 for more details.



Step 18.

Attach the monitor mounts, wing clamps and tube clamps. Use the Exploded View 2.4 Counter 1 for part labels.

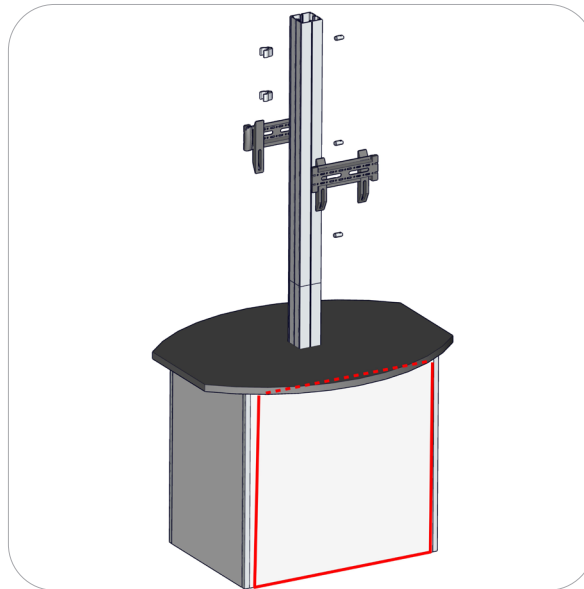
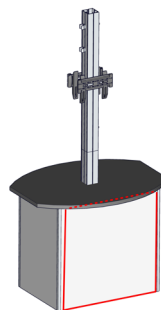
Reference Connection Method(s) 4, 13 and the monitor mount supplemental sheets for more details.



Step 19.

Attach the monitor mounts, wing clamps and tube clamps. Use the Exploded View 2.5 Counter 2 for part labels.

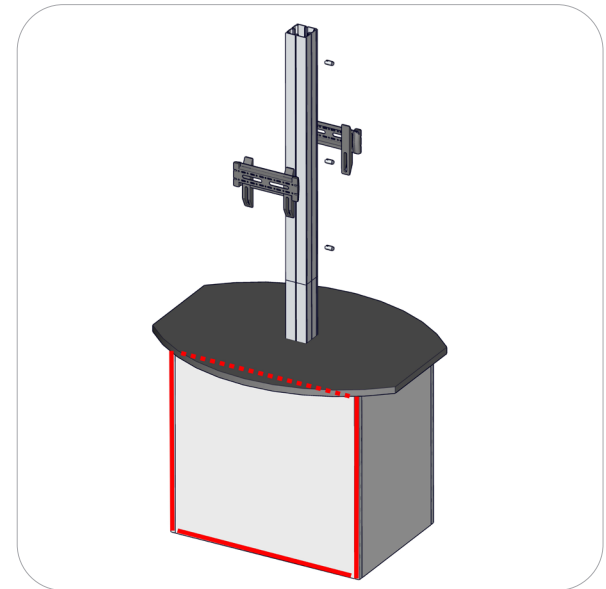
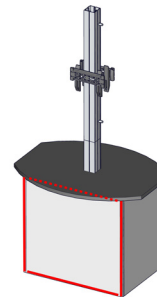
Reference Connection Method(s) 4, 13 and the monitor mount supplemental sheets for more details.



Step 20.

Attach the monitor mounts and wing clamps. Use the Exploded View 2.6 Counter 3 for part labels.

Reference Connection Method(s) 13 and the monitor mount supplemental sheets for more details.



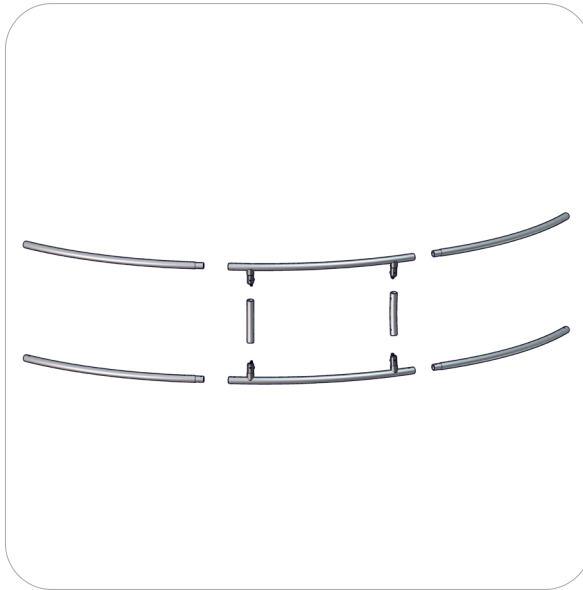
Kit Assembly

Step by Step

Step 21.

Gather the components to build the center of the HP-FS-5 frame. Use the Exploded View and the Labeling Diagram 3.1 for part labels. Make 2.

Reference Connection Method 8 for more details.



Step 22.

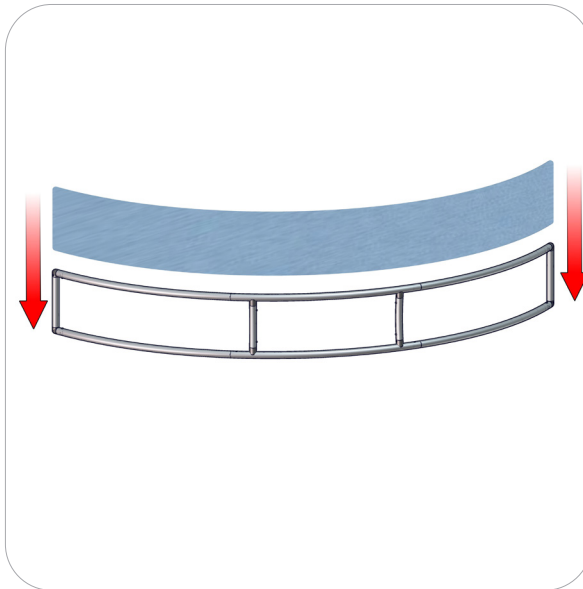
Gather the components to build the ends of the HP-FS-5 frame. Use the Exploded View and the Labeling Diagram 3.1 for part labels. Make 2.

Reference Connection Method 8 for more details.



Step 23.

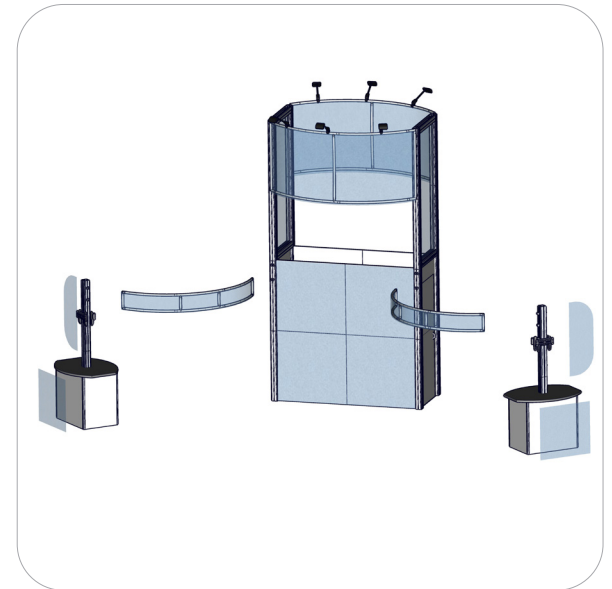
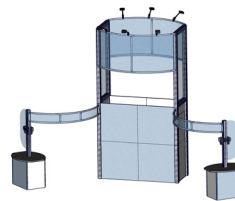
Apply the pillow case over the HP-FS-5 frame. Zipper it closed at the bottom. Make 2.



Step 24.

Use the tube clamps for attaching the HP-FS-5 headers onto the tower and Counters 1 and 2. Use the Exploded View 3.1 for graphic locations.

Reference Connection Method(s) 4 for more details.



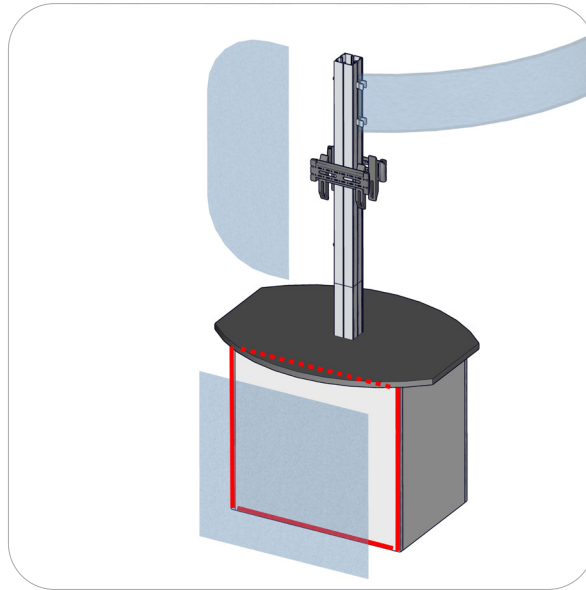
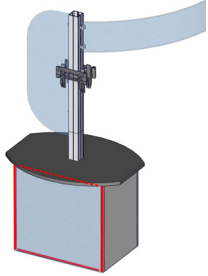
Kit Assembly

Step by Step

Step 25.

Attach the graphic panels onto counter 1. Use the Exploded View 3.1 for graphic labels.

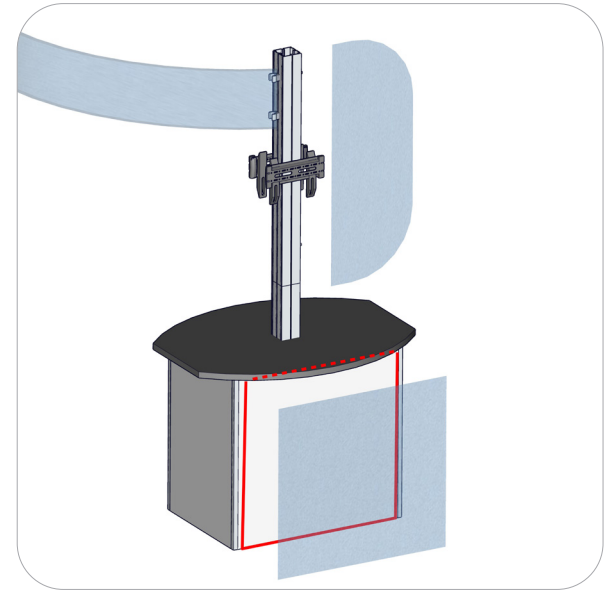
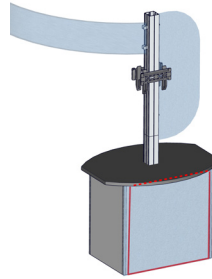
Reference Connection Method 13 for more details.



Step 26.

Attach the graphic panels onto counter 2. Use the Exploded View 3.1 for graphic labels.

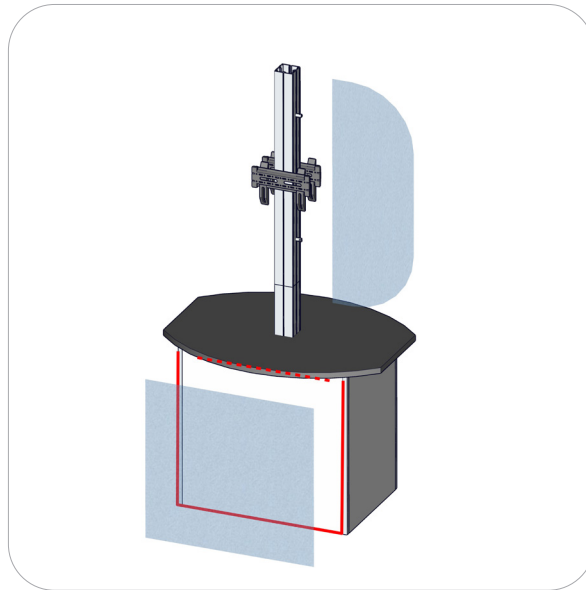
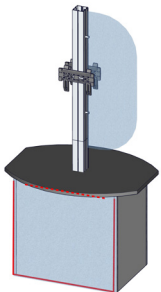
Reference Connection Method 13 for more details.



Step 27.

Attach the graphic panels onto counter 3. Use the Exploded View 2.6 for graphic labels.

Reference Connection Method 13 for more details.



Step 28.

Connect the power supplies for the spotlights and attach your monitors onto the monitor mounts brackets.

Setup is complete.



Monitor Bracket Instructions

Extrusion Channel Applications



EXT-SM-MB

Vesa Pattern: 75 x 75
up to 200 x 200mm

Max weight varies per application

Assembled unit:

10" w x 8.86" h x 2" d
255mm (w) x 225mm (h) x 50mm (d)

Shipping dimensions:

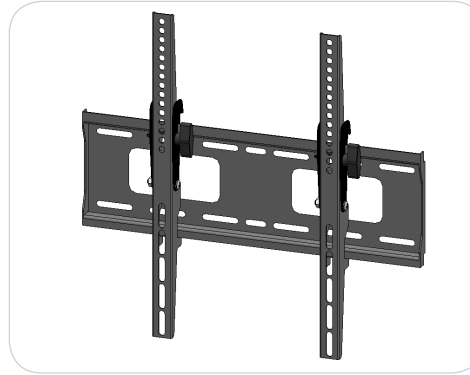
14" l x 6" h x 4" d
356mm (l) x 152mm (h) x 102mm (d)

Approximate total shipping weight:

6 lbs / 3 kg

Recommended monitor sizes:

23" - 42"



EXT-M-MB

Vesa Pattern: 200 x 200
up to 400 x 400mm

Max weight varies per application

Assembled unit:

17.6" w x 16.7" h x 1.6" d
448mm (w) x 425mm (h) x 40mm (d)

Shipping dimensions:

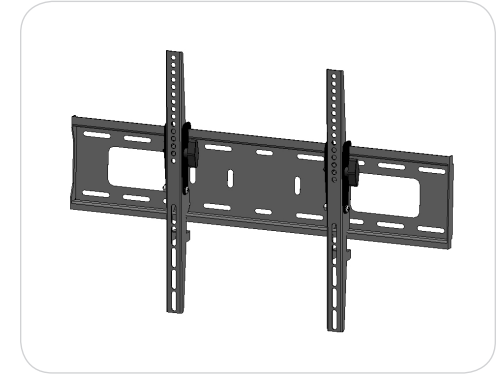
24" l x 4" h x 4" d
610mm (l) x 102mm (h) x 102mm (d)

Approximate total shipping weight:

8 lbs / 4 kg

Recommended monitor sizes:

32" - 55"



EXT-LG-MB

Vesa Pattern: 200 x 200
up to 600 x 400mm

Max weight varies per application

Assembled unit:

25.9" w x 16.7" h x 1.6" d
658mm (w) x 425mm (h) x 40mm (d)

Shipping dimensions:

28" l x 6" h x 6" d
711mm (l) x 152mm (h) x 152mm (d)

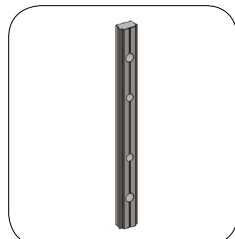
Approximate total shipping weight:

9 lbs / 5 kg

Recommended monitor sizes:

37" - 70"

Included hardware:



LN-100

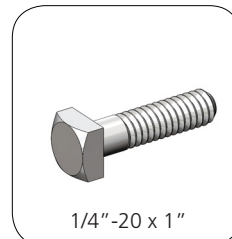
x2



M5 x 10

LN-LCD-SCW

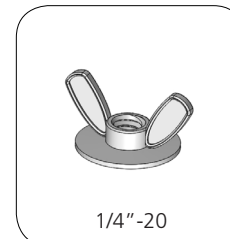
x2



1/4"-20 x 1"

BOLT-1

x2



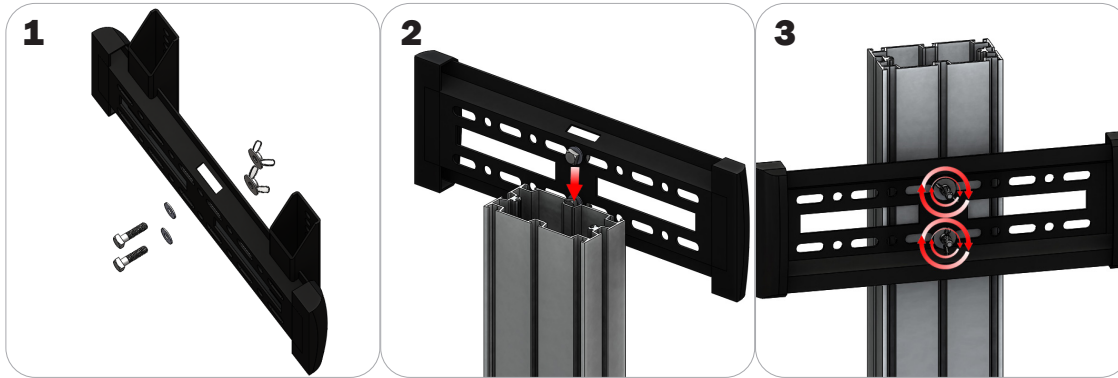
1/4"-20

Flange Wing nut

x2

Extrusion Connection

Channel Connection A



Locate all components needed to assemble the monitor mount with the channel connection A method. You will need (1) monitor bracket, (2) square head bolts, (2) washers, and (2) wing nuts.

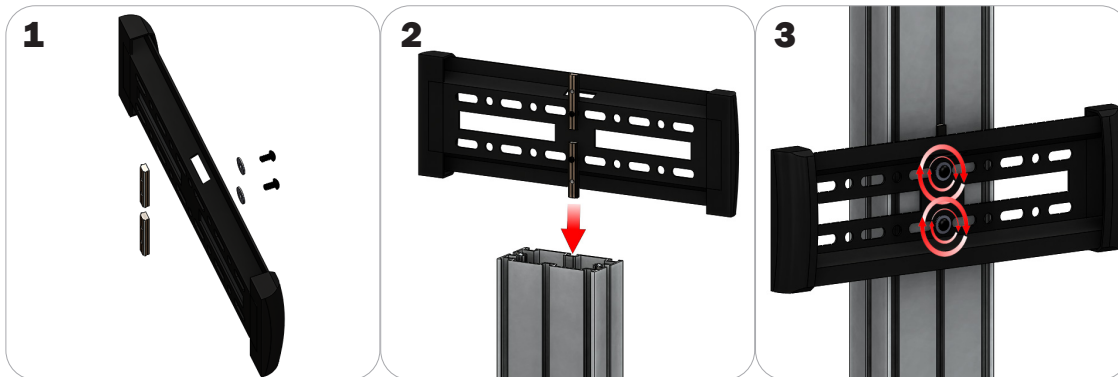
Step 1: Insert the provided bolts through the washers and center top and bottom holes of the monitor mount. Loosely thread your wing nuts onto the end of the bolts.

Step 2: Slide the bolt heads down the extrusion channel.

Step 3: Tighten your wing nuts to lock the monitor bracket in place.

Step 4: Reference the included manufacturer monitor mount instructions for fastening your monitor to the bracket.

Channel Connection B



Locate all components needed to assemble the monitor mount with the channel connection B method. You will need (1) monitor bracket, (2) LN-LCD-SCW, (2) LN-100, and (2) washers.

Step 1: Loosely thread the LN-LCD-SCW screws through the washers, the center top and bottom holes of the monitor bracket, and through the LN-50 holes.

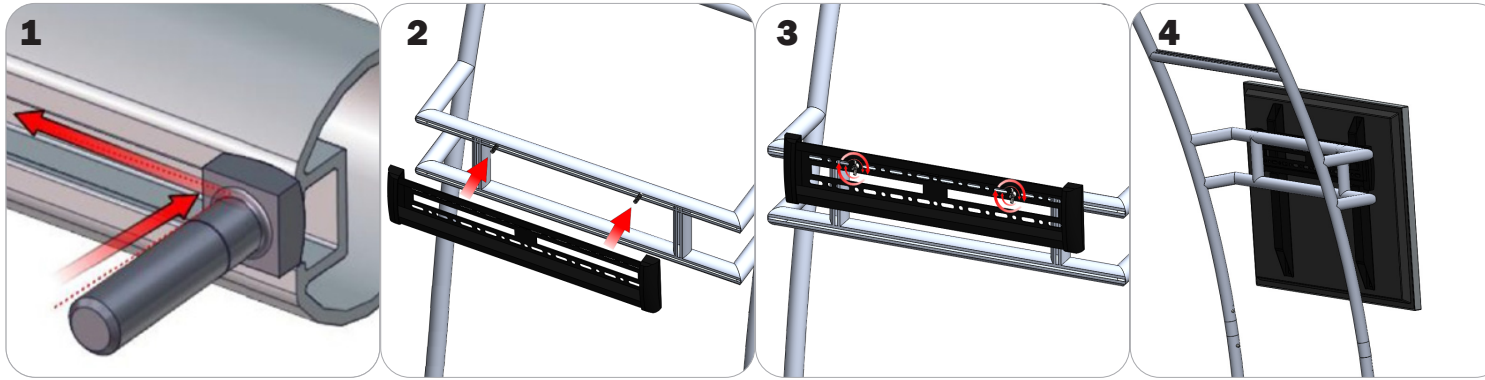
Step 2: Slide the LN-100s down the extrusion channel.

Step 3: Tighten your LN-LCD-SCW to lock the monitor bracket in place.

Step 4: Reference the included manufacturer monitor mount instructions for fastening your monitor to the bracket.

Extrusion Connection

TRI-30MM Channel Tube Connection



Locate all components needed to assemble the monitor mount with the TRI-30MM Channel Tube Connection method. You will need (1) monitor bracket, (2) Square Bolts, and (2) Wingnuts.

Step 1: Slip the head of the square bolts into the extrusion channel of the tube.

Step 2: Apply your monitor bracket to the protruding square bolts.

Step 3: Lock your monitor bracket to the square bolts using the provided wingnuts.

Step 4: Reference the included manufacturer monitor mount instructions for fastening your monitor to the bracket.