

SHOWBIRD 120 MODULAR LIGHTBOX 600X240

SHOWBIRD 120 MODULAR LIGHTBOX
PRODUCT CODE: SB120-600x240



PRODUCT DESCRIPTION

The Showbird 120 is a premium modular lightbox display system designed to deliver bold, evenly illuminated graphics with maximum flexibility. Built with 120mm wide anodized silver aluminum extrusion profiles, this system features LED edge lighting integrated into both the top and bottom frame profiles, creating vibrant, high-impact backlit visuals. The Showbird 120 displays dye sublimated backlit fabric graphics with SEG (silicone edge graphic) finishing, ensuring a smooth, wrinkle-free presentation suitable for trade shows, retail environments, and branded interiors.

Engineered for efficiency, the Showbird 120 offers tool-free assembly and a modular design that allows multiple frames to be combined into custom configurations. A variety of standard configurations and frame sizes are available to accommodate common layout needs, while custom multi-frame configurations can be created by connecting standard components. Frame sizing itself cannot be customized, ensuring structural integrity and consistent performance across all setups.

The Showbird 120 is available as a single- or double-sided display. Single-sided graphic packages include a printed front graphic with a blackout panel on the backside, while double-sided options feature printed graphics on both sides of the frame for 360° visibility. Each frame includes travel bags for hardware, making transport and storage simple and secure. To enhance functionality, optional monitor mounts and shelving accessories are available, allowing the system to adapt seamlessly to interactive and product-focused display applications.

DISPLAY DIMENSIONS	236.22"W x 96"H x 16.625"D
GRAPHIC MATERIAL	Dye Sub Backlit Fabric
POWER OUTLETS	Requires 2 Standard Power Outlet

GRAPHIC FINISHING

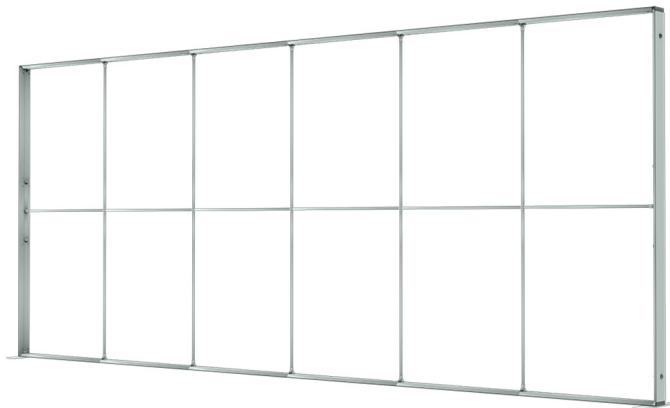
12mm x 3mm silicone beading is sewn around the perimeter of the fabric graphic (Silicone Edge Graphic - SEG). Silicone beading is hidden from view once installed. A pull tab is added to a bottom corner to help with graphic removal.

DISPLAY CONSTRUCTION

Aluminum frame with plastic components. LED edge lights run along the top and bottom profiles of the frame.

SHIPPING WEIGHTS & DIMENSIONS - 2 BOXES

Shipping Weight	Box 1	71 lbs Single Graphic Package
		71 lbs Double Graphic Package
		71 lbs Hardware Only 10 lbs Graphic Only
Shipping Weight	Box 1	47"L x 16"W x 14"H - Graphic Package
		47"L x 16"W x 14"H - Hardware Only Polybag - Graphic Only
Shipping Weight	Box 2	55 lbs Single Graphic Package
		55 lbs Double Graphic Package
		35 lbs Hardware Only 10 lbs Graphic Only
Shipping Weight	Box 2	47"L x 16"W x 7"H - Graphic Package
		47"L x 16"W x 7"H - Hardware Only Polybag - Graphic Only



HARDWARE ONLY



TRAVEL BAG - INCLUDES 2

SHOWBIRD 120 MODULAR LIGHTBOX 600X240

SHOWBIRD 120 MODULAR LIGHTBOX
PRODUCT CODE: SB120-600x240

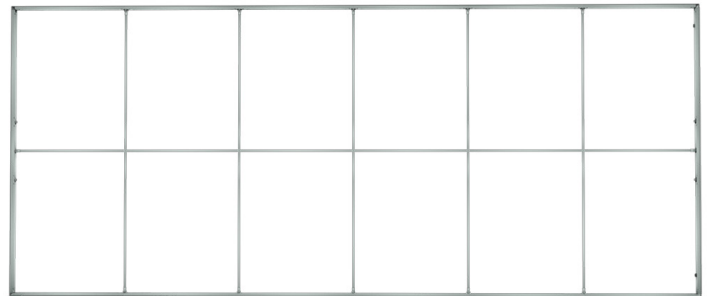
SINGLE
SIDED

DOUBLE
SIDED

INDOOR
USE



ADDITIONAL IMAGES



BACKSIDE
SINGLE SIDED



BACKSIDE
DOUBLE SIDED

SHOWBIRD 120 MODULAR LIGHTBOX 600X240

SHOWBIRD 120 MODULAR LIGHTBOX
PRODUCT CODE: SB120-600x240



PARTS LIST



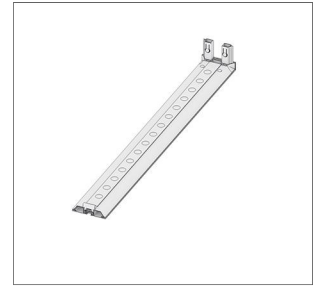
Height profile1
x2pcs



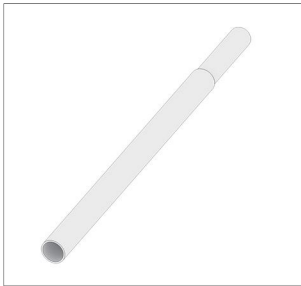
Height profile2
x2pcs



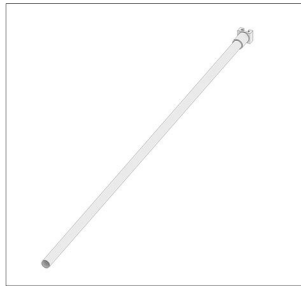
LED profile1
X8pcs



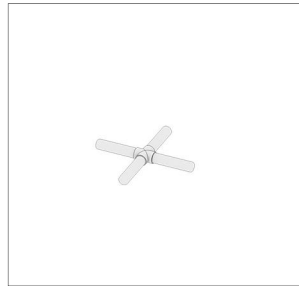
LED profile2
x4pcs



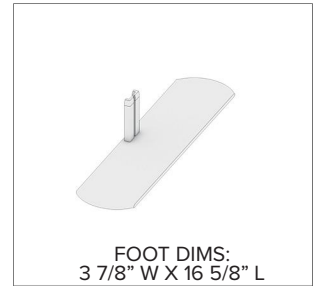
Short pole
x10pcs



Pole
x12pcs



Middle cross
x5pcs



Feet
x2pcs



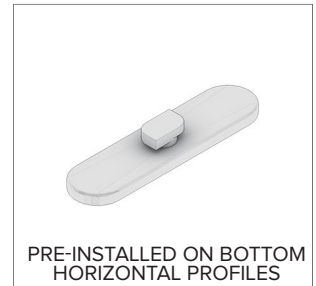
Power cable
x2pcs



Height profile
x2pcs



Bag
x2pcs



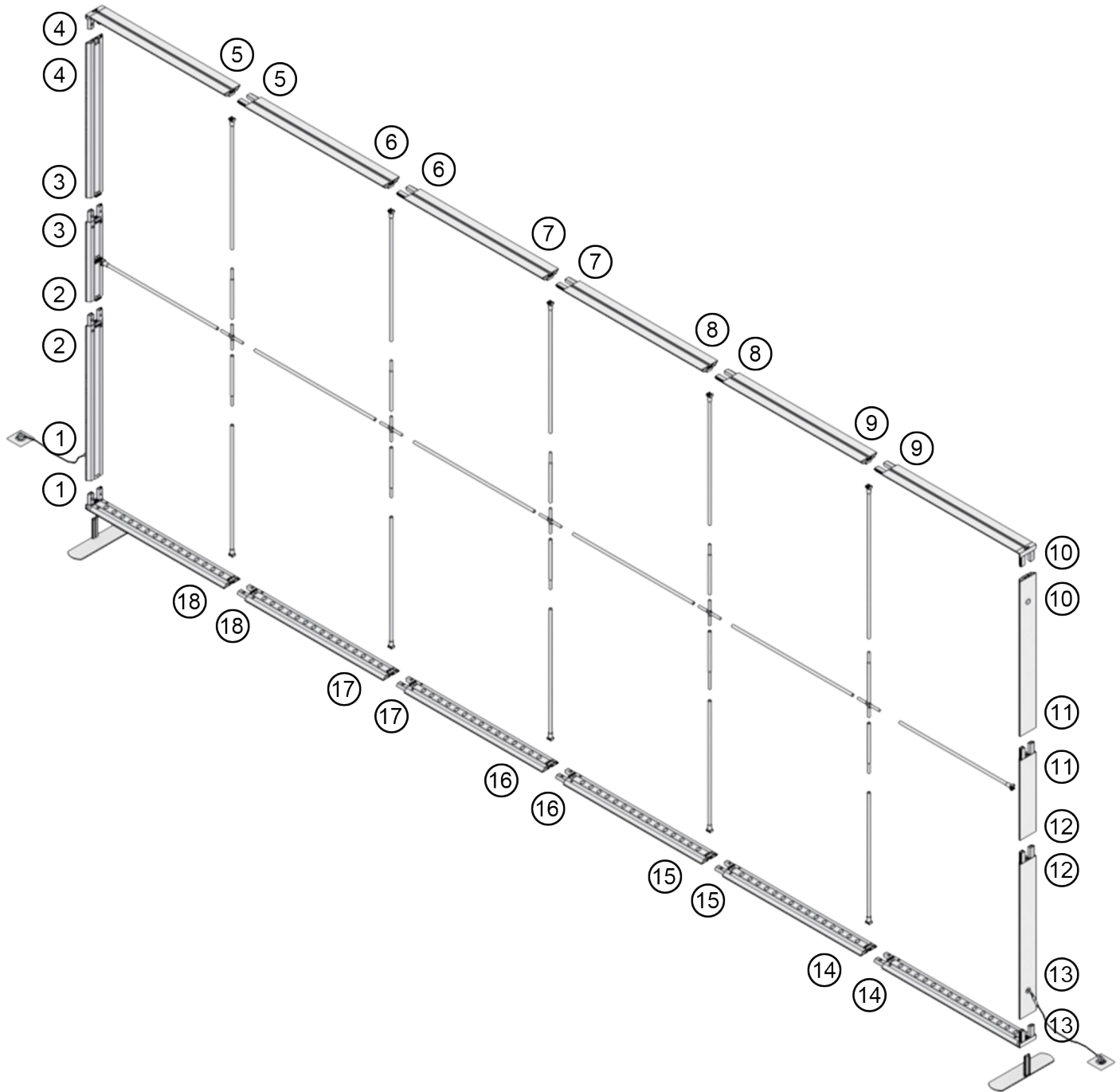
Middle pad
x5pcs

SHOWBIRD 120 MODULAR LIGHTBOX 600X240

SHOWBIRD 120 MODULAR LIGHTBOX
PRODUCT CODE: SB120-600x240



SET UP INSTRUCTIONS



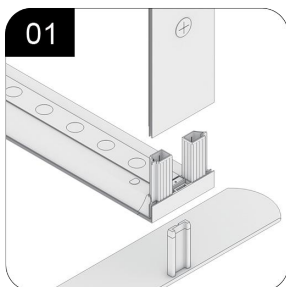
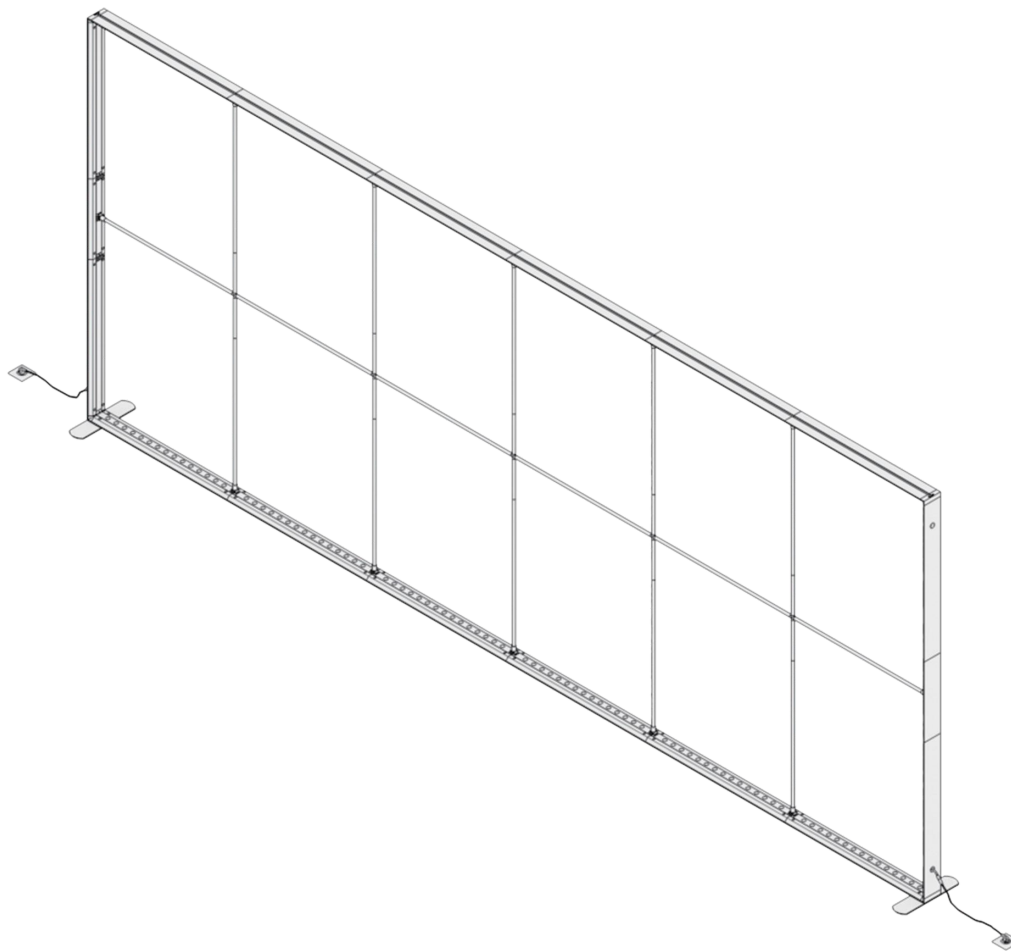
SHOWBIRD 120 MODULAR LIGHTBOX 600X240

SHOWBIRD 120 MODULAR LIGHTBOX
PRODUCT CODE: SB120-600x240

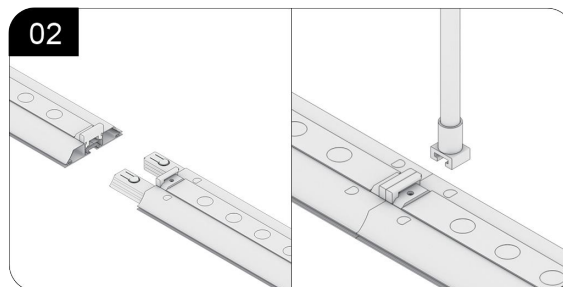
SINGLE
SIDED

DOUBLE
SIDED

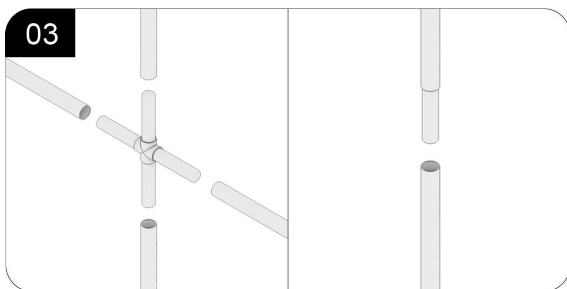
INDOOR
USE



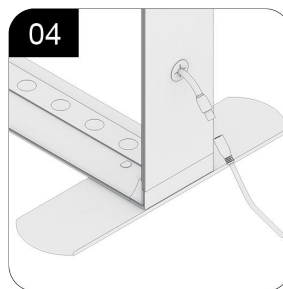
01 Connect the corner profile.



02 Connecting side profiles; Connect the pole to the side profile.



03 Connect the pole.



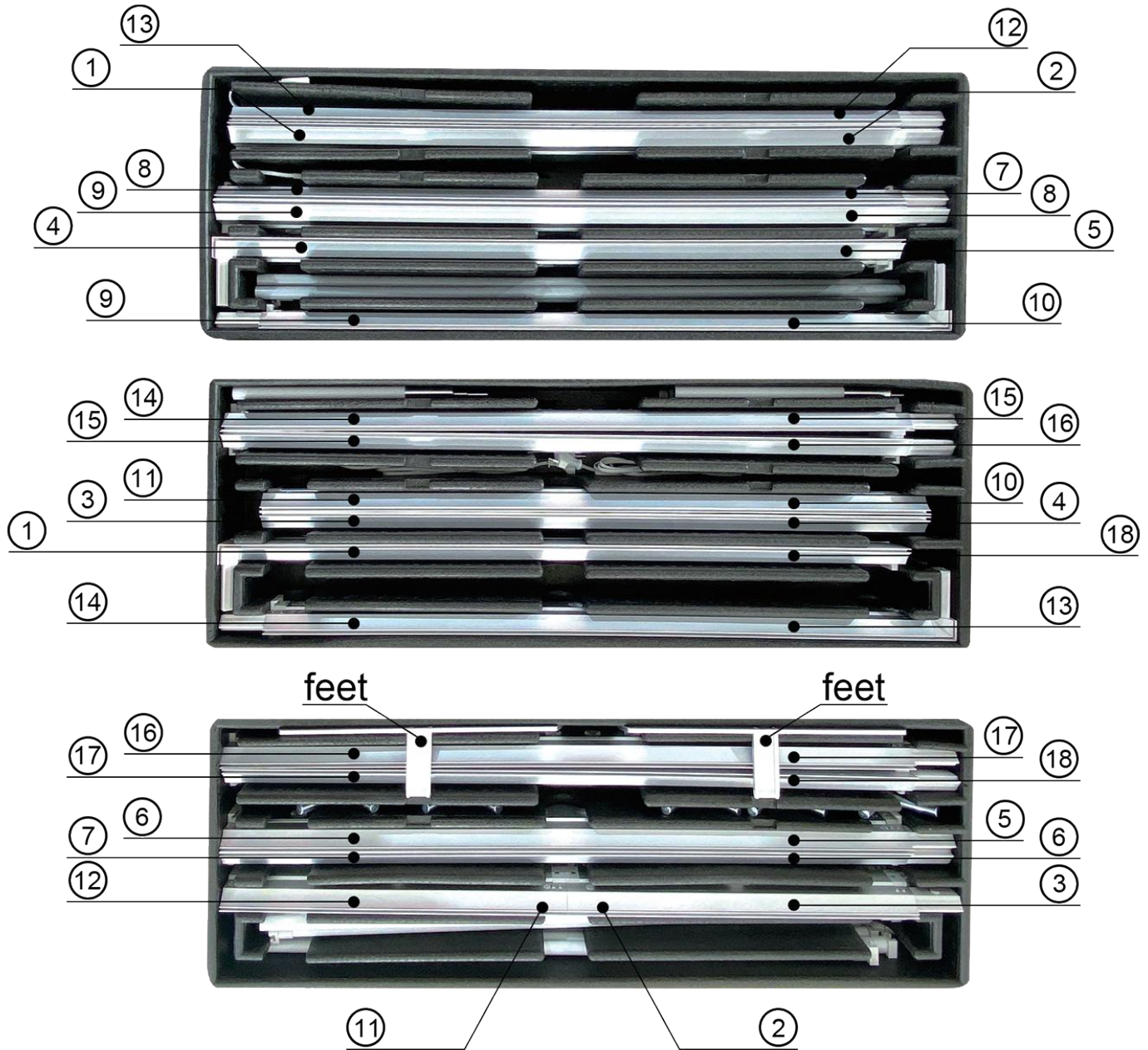
04 Connect the power plug.

SHOWBIRD 120 MODULAR LIGHTBOX 600X240

SHOWBIRD 120 MODULAR LIGHTBOX
PRODUCT CODE: SB120-600x240



TRAVEL BAG STORAGE



SHOWBIRD 120 MODULAR LIGHTBOX 600X240

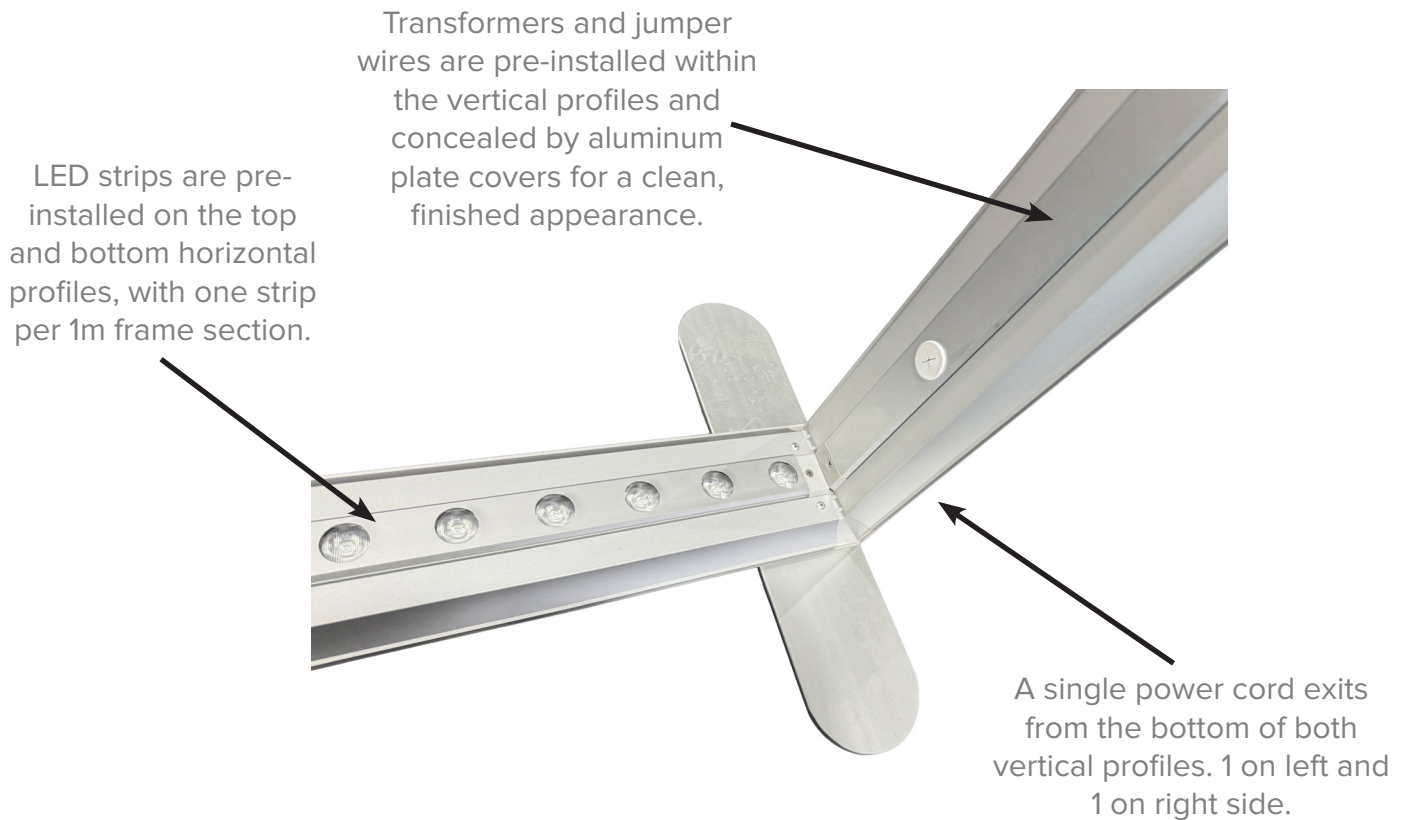
SHOWBIRD 120 MODULAR LIGHTBOX
PRODUCT CODE: SB120-600x240



LED & TRANSFORMER SPECS

LED LIGHTING	
Brand	OSRAM
CCT (COLOR TEMP)	6500K
AVG BEAM ANGLE	9*39
LM/W:	120-130 LM/W
AVG LM/M ²	4650-5000
VOLTAGE INPUT:	24V
LUMENS	
VOLTAGE (V)	24V
POWER (W)	564W
LM/W	120-130
TOTAL LM	69120-71000
AVG LM	4650-5000 LM/M ²
CU	80-90%
EAV	2250-2500

TRANSFORMER	
Power	200W
Input Voltage	110-24V
Output Voltage	24V
Certifications	UL & CE Listed
Power Outlets	2 Required

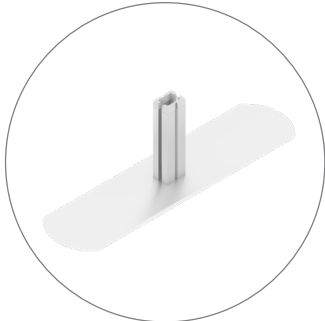


SHOWBIRD 120 MODULAR LIGHTBOX 600X240

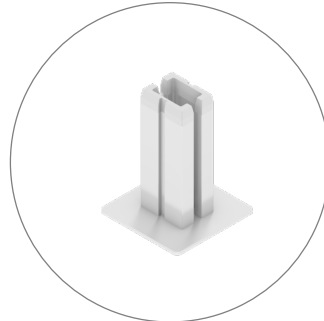
SHOWBIRD 120 MODULAR LIGHTBOX
PRODUCT CODE: SB120-600x240



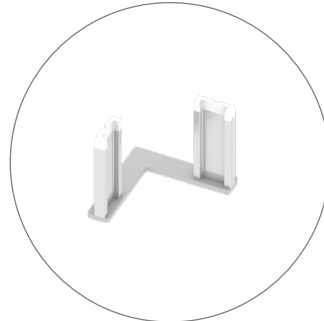
AVAILABLE ACCESSORIES



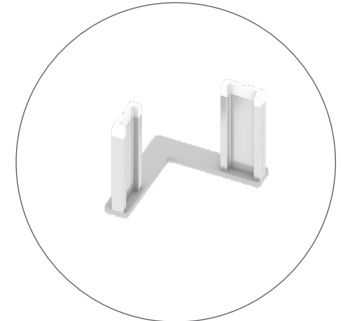
180° Connector Foot
SKU: SB120-FOOT-180



180° Connector Top
SKU: SB120-ACC-180



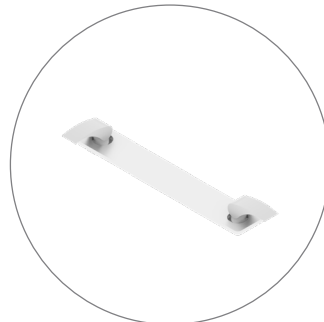
Corner Connector Foot
SKU: SB120-FOOT-90



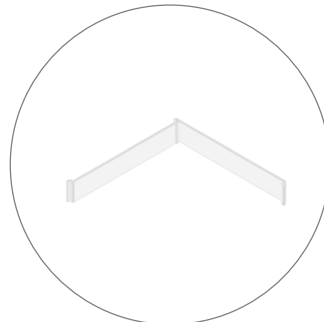
Corner Connector Top
SKU: SB120-ACC-90



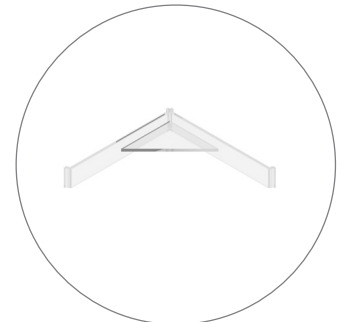
Straight Connector
SKU: SB120-SCON



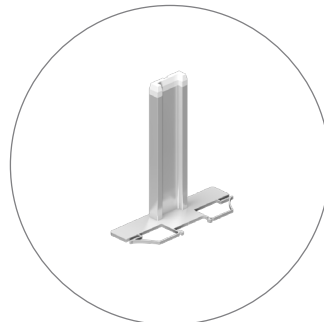
Room Brackets
SKU: SB120-DOOR-B



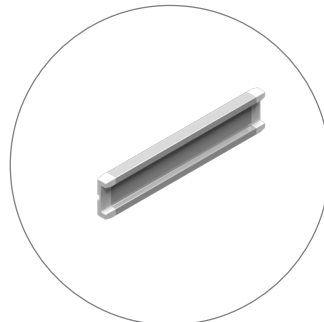
Inside L Connection
SKU: SB120-ILCON



Outside L Connector
SKU: SB120-OLCON



Stack Connector Offset
SKU: SB120-STACK-B



Stack Connector Height
SKU: SB120-STACK-H