

# SHOWBIRD 120 10 X 10 CONFIGURATION A

SHOWBIRD 120 MODULAR LIGHTBOX

PRODUCT CODE: SB120-1010-A



TRAVEL BAGS  
INCLUDES QTY 3

## PRODUCT DESCRIPTION

The Showbird 120 is a premium modular lightbox display system designed to deliver bold, evenly illuminated graphics with maximum flexibility. Built with 120mm wide anodized silver aluminum extrusion profiles, this system features LED edge lighting integrated into both the top and bottom frame profiles, creating vibrant, high-impact backlit visuals. The Showbird 120 displays dye sublimated backlit fabric graphics with SEG (silicone edge graphic) finishing, ensuring a smooth, wrinkle-free presentation suitable for trade shows, retail environments, and branded interiors.

Engineered for efficiency, the Showbird 120 offers tool-free assembly and a modular design that allows multiple frames to be combined into custom configurations. A variety of standard configurations and frame sizes are available to accommodate common layout needs, while custom multi-frame configurations can be created by connecting standard components. Frame sizing itself cannot be customized, ensuring structural integrity and consistent performance across all setups.

The Showbird 120 is available as a single- or double-sided display. Single-sided graphic packages include a printed front graphic with a blackout panel on the backside, while double-sided options feature printed graphics on both sides of the frame for 360° visibility. Each frame includes travel bags for hardware, making transport and storage simple and secure. To enhance functionality, optional monitor mounts and shelving accessories are available, allowing the system to adapt seamlessly to interactive and product-focused display applications.

DISPLAY DIMENSIONS	119.11"W x 96"H x 99.5"D
GRAPHIC MATERIAL	Dye Sub Backlit Fabric
POWER OUTLETS	Requires 3 Power Outlets

## GRAPHIC FINISHING

12mm x 3mm silicone beading is sewn around the perimeter of the fabric graphic (Silicone Edge Graphic - SEG). Silicone beading is hidden from view once installed. A pull tab is added to a bottom corner to help with graphic removal.

## DISPLAY CONSTRUCTION

Aluminum frame with plastic components. LED edge lights run along the top and bottom profiles of the frame.

## SHIPPING WEIGHTS & DIMENSIONS - 3 BOXES TOTAL

SB120-300x240 Shipping Weight	56 lbs Single Graphic Package 56 lbs Double Graphic Package 46 lbs Hardware Only 5 lbs Graphic Only
SB120-300x240 Shipping Dimensions (1 box)	47"L x 16"W x 14"H - Graphic Package 47"L x 16"W x 14"H - Hardware Only Polybag - Graphic Only
SB120-100x240 Shipping Weight	31 lbs Single Graphic Package 31 lbs Double Graphic Package 27 lbs Hardware Only 2 lbs Graphic Only
SB120-100x240 Shipping Dimensions (2 boxes)	47"L x 16"W x 7"H - Graphic Package 47"L x 16"W x 7"H - Hardware Only Polybag - Graphic Only

# SHOWBIRD 120 10 X 10 CONFIGURATION A

SHOWBIRD 120 MODULAR LIGHTBOX  
PRODUCT CODE: SB120-1010-A

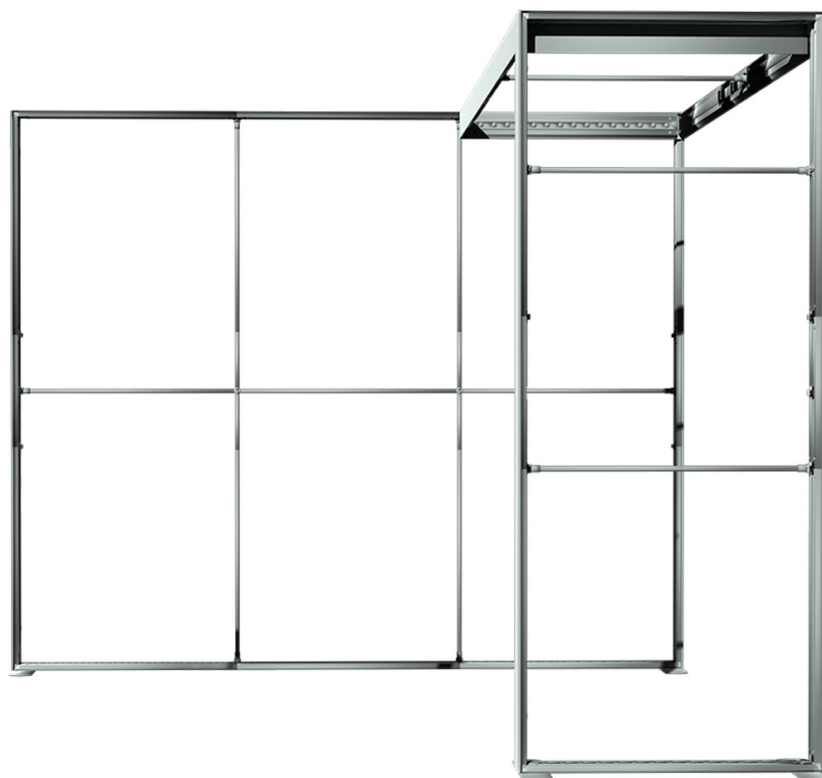
SINGLE  
SIDED

DOUBLE  
SIDED

INDOOR  
USE



## ADDITIONAL IMAGES



# SHOWBIRD 120 10 X 10 CONFIGURATION A

SHOWBIRD 120 MODULAR LIGHTBOX  
PRODUCT CODE: SB120-1010-A

SINGLE  
SIDED

DOUBLE  
SIDED

INDOOR  
USE



## SINGLE SIDED

## DOUBLE SIDED

## HARDWARE ONLY



SIDE VIEW



SIDE VIEW



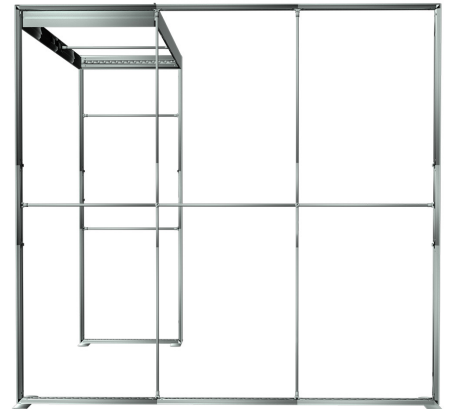
SIDE VIEW



BACK VIEW



BACK VIEW



BACK VIEW



TOP VIEW



TOP VIEW



TOP VIEW

# SHOWBIRD 120 10 X 10 CONFIGURATION A

SHOWBIRD 120 MODULAR LIGHTBOX  
PRODUCT CODE: SB120-1010-A

SINGLE  
SIDED

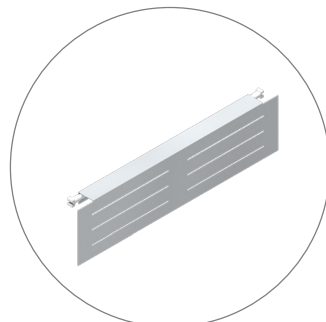
DOUBLE  
SIDED

INDOOR  
USE

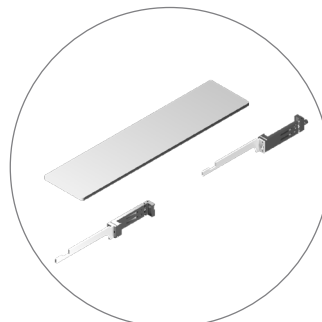


w/Optional Shelf & TV Mount\*

\*Not included



Monitor Mount  
SKU: SB120-TV



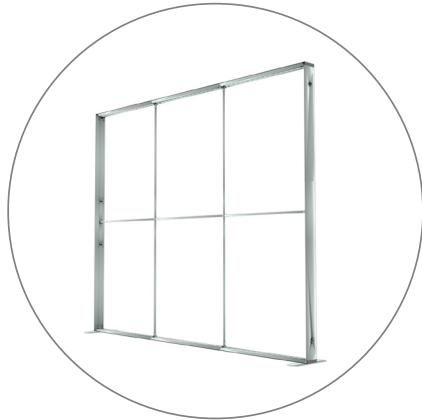
Shelf - Outside Mount  
SKU: SB120-SHELF-O

# SHOWBIRD 120 10 X 10 CONFIGURATION A

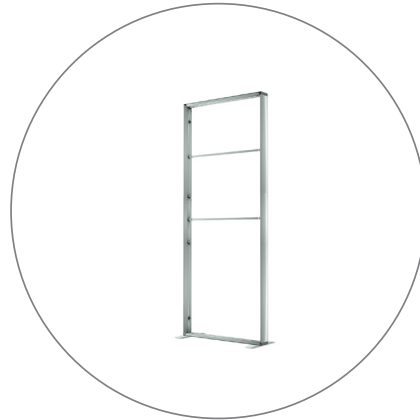
SHOWBIRD 120 MODULAR LIGHTBOX  
PRODUCT CODE: SB120-1010-A



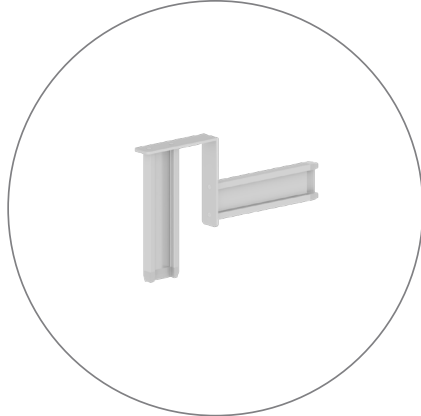
## PARTS LIST



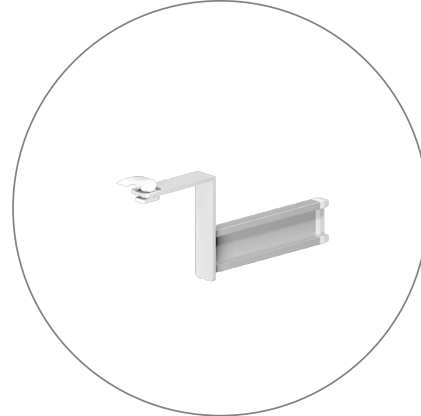
(qty 1) Showbird 120 Modular  
Lightbox 300x240 Hardware Only  
SKU: SB120-300x240  
Includes 1 travel bag



(qty 2) Showbird 120 Modular  
Lightbox 100x240 Hardware Only  
SKU: SB120-100x240  
Each frame includes 1 travel bag



(qty 2) Arch - Fixed Location  
SKU: SB120-ARCH-F



(qty 2) Arch - Variable Location  
SKU: SB120-ARCH-B

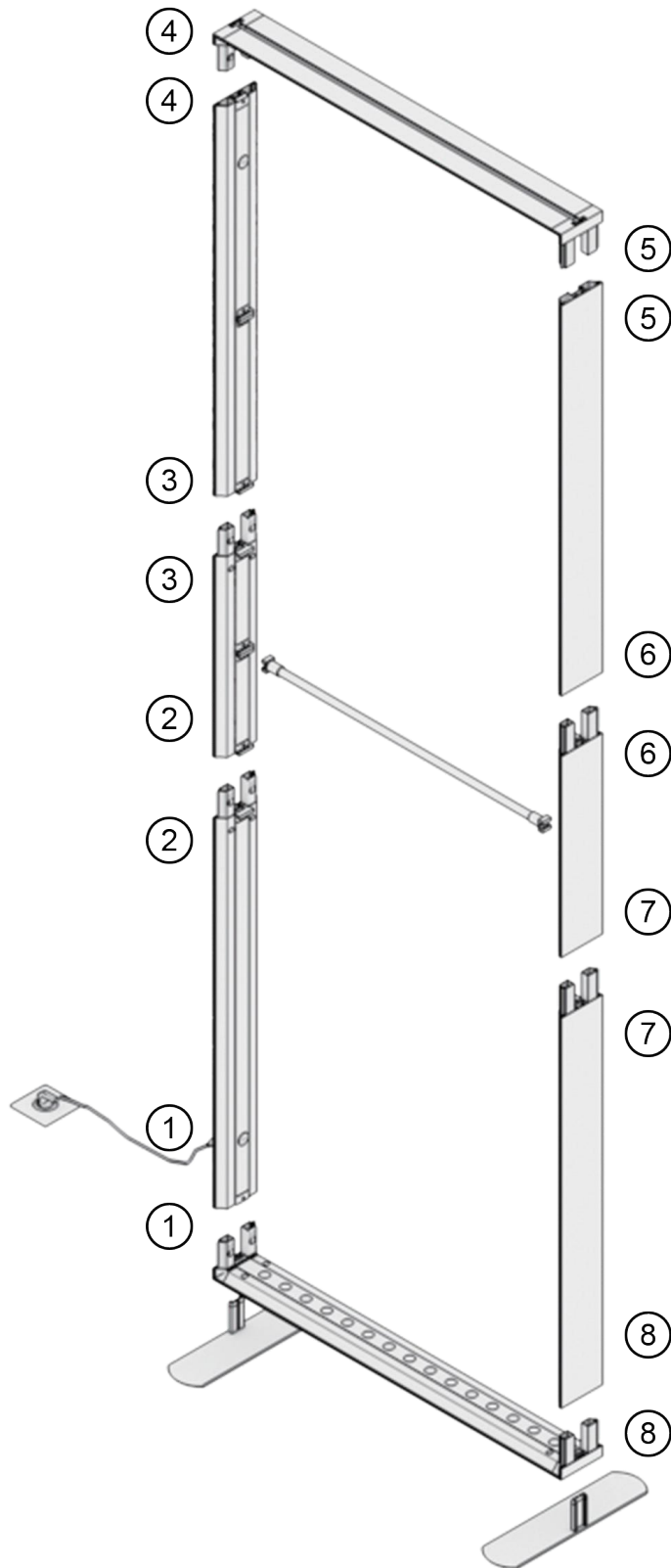
# SHOWBIRD 120 10 X 10 CONFIGURATION A

SHOWBIRD 120 MODULAR LIGHTBOX  
PRODUCT CODE: SB120-1010-A



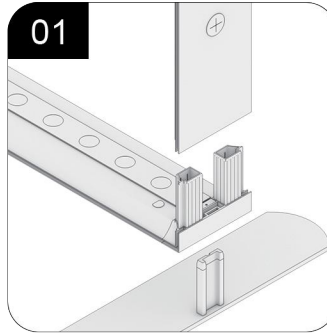
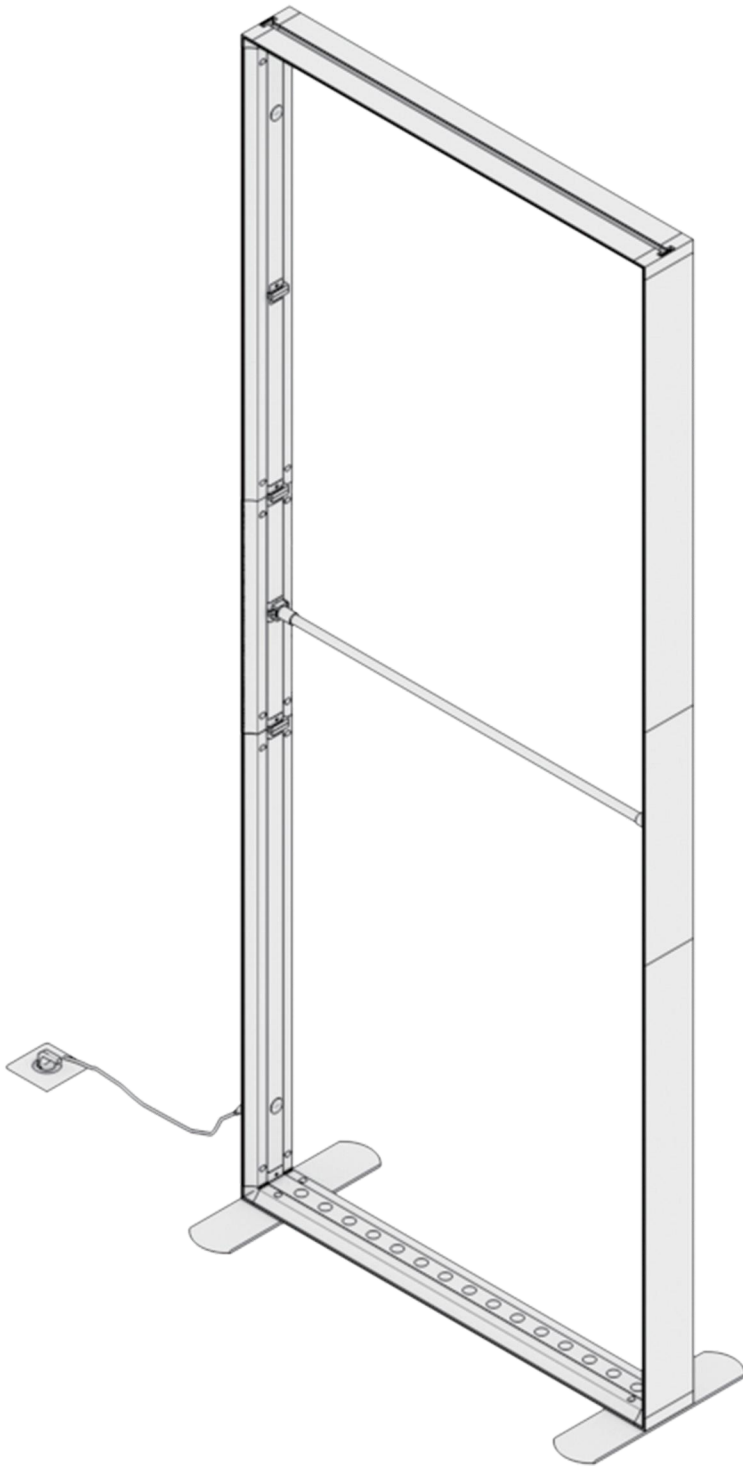
## SET UP INSTRUCTIONS SB120-100X240

SET UP EACH FRAME INDIVIDUALLY BEFORE CONNECTING

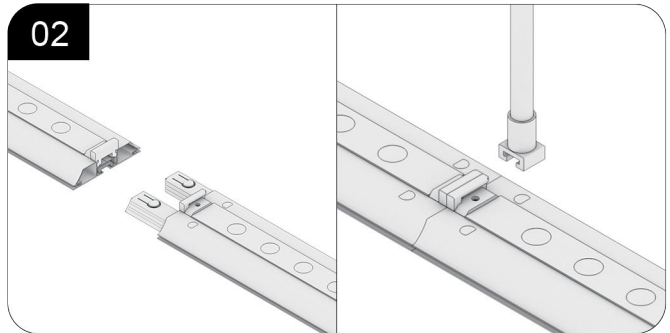


# SHOWBIRD 120 10 X 10 CONFIGURATION A

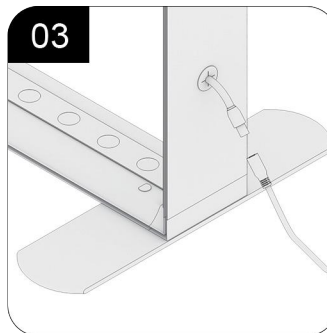
SHOWBIRD 120 MODULAR LIGHTBOX  
PRODUCT CODE: SB120-1010-A



01 Connect the corner profile.



02 Connecting side profiles; Connect the pole to the side profile.



03 Connect the power plug.

# SHOWBIRD 120 10 X 10 CONFIGURATION A

SHOWBIRD 120 MODULAR LIGHTBOX  
PRODUCT CODE: SB120-1010-A

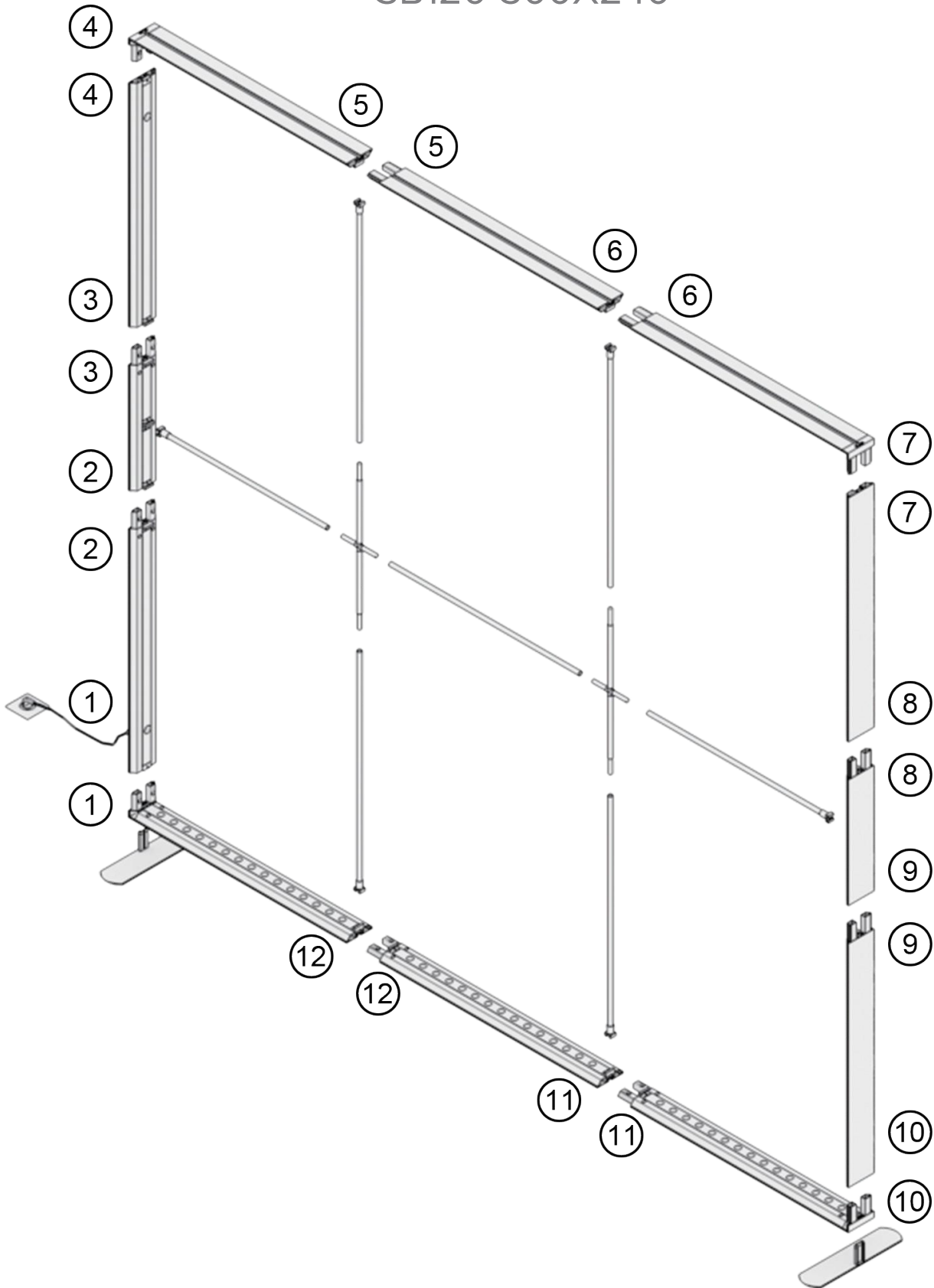
SINGLE  
SIDED

DOUBLE  
SIDED

INDOOR  
USE



## SET UP INSTRUCTIONS SB120-300X240



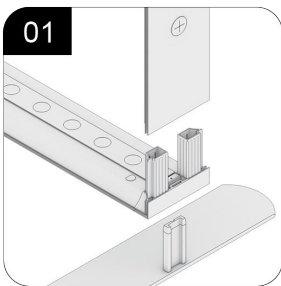
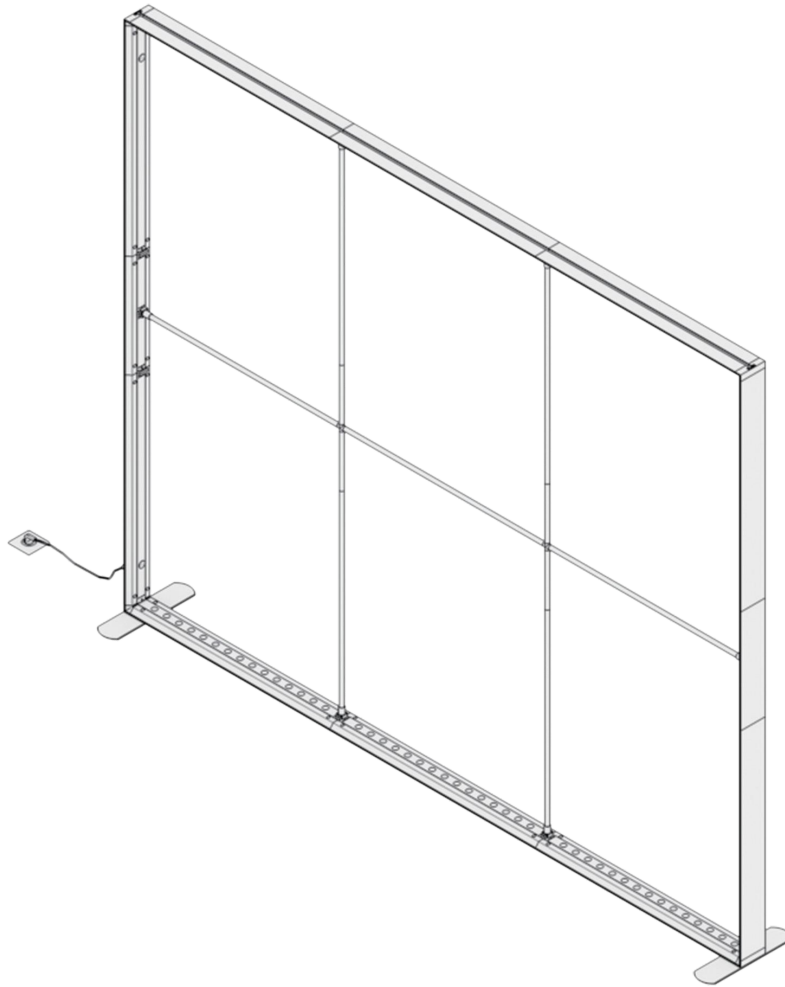
# SHOWBIRD 120 10 X 10 CONFIGURATION A

SHOWBIRD 120 MODULAR LIGHTBOX  
PRODUCT CODE: SB120-1010-A

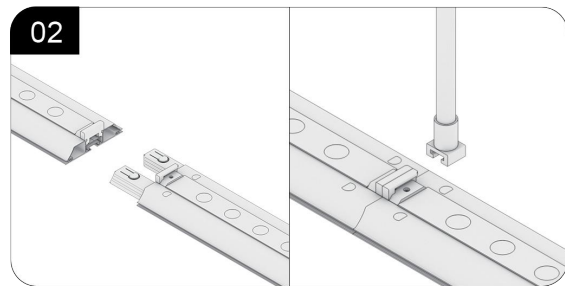
SINGLE  
SIDED

DOUBLE  
SIDED

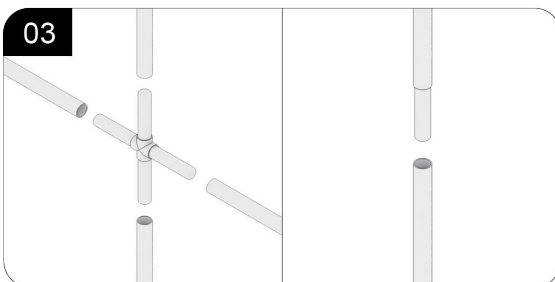
INDOOR  
USE



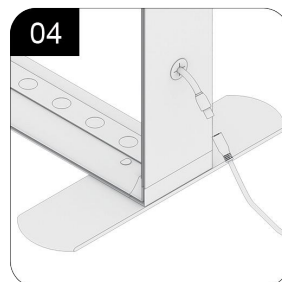
01 Connect the corner profile.



02 Connecting side profiles; Connect the pole to the side profile.



03 Connect the pole.



04 Connect the power plug.

# SHOWBIRD 120 10 X 10 CONFIGURATION A

SHOWBIRD 120 MODULAR LIGHTBOX  
PRODUCT CODE: SB120-1010-A

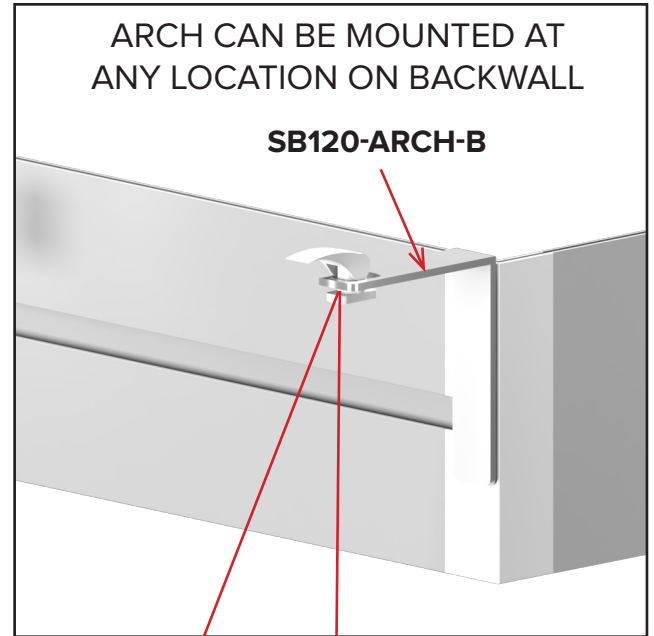
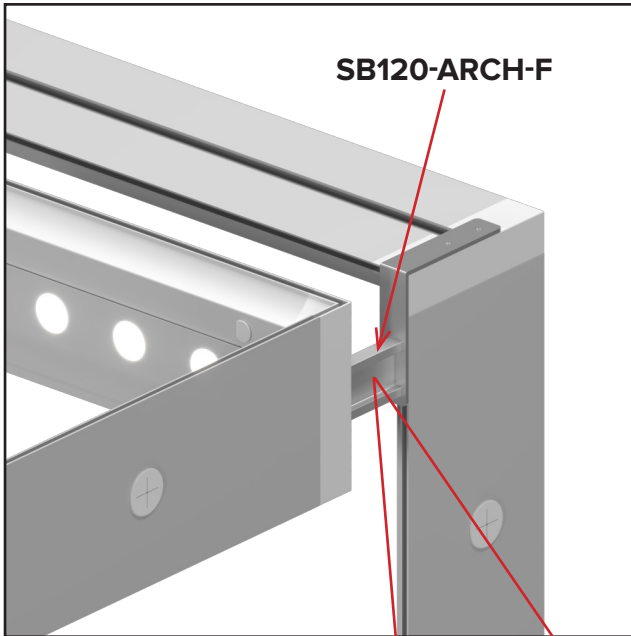
SINGLE  
SIDED

DOUBLE  
SIDED

INDOOR  
USE



## CONFIGURATION ASSEMBLY

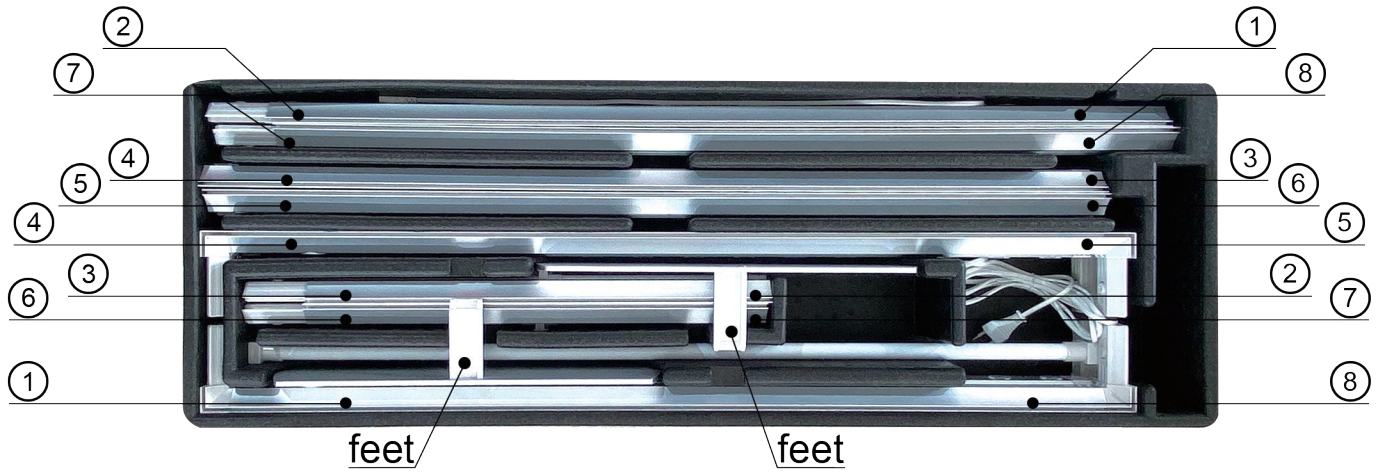


# SHOWBIRD 120 10 X 10 CONFIGURATION A

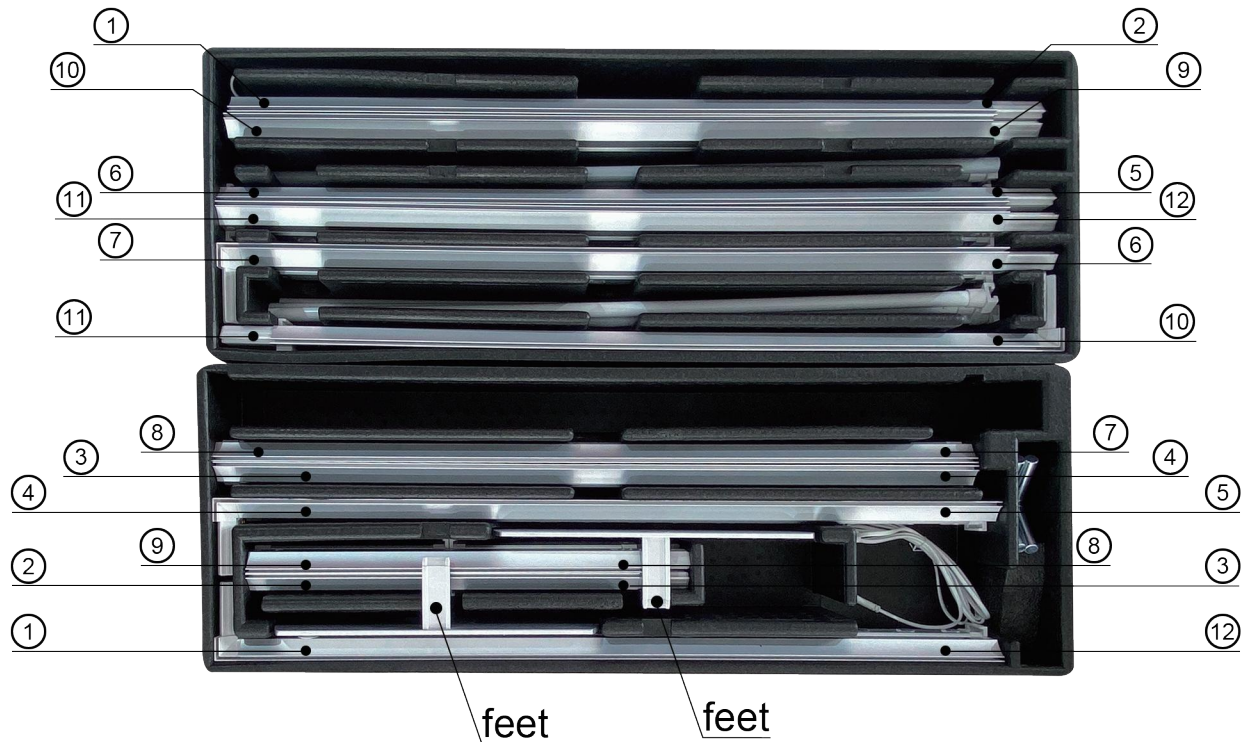
SHOWBIRD 120 MODULAR LIGHTBOX  
PRODUCT CODE: SB120-1010-A



## TRAVEL BAG STORAGE SB120-100X240



## TRAVEL BAG STORAGE SB120-300X240



# SHOWBIRD 120 10 X 10 CONFIGURATION A

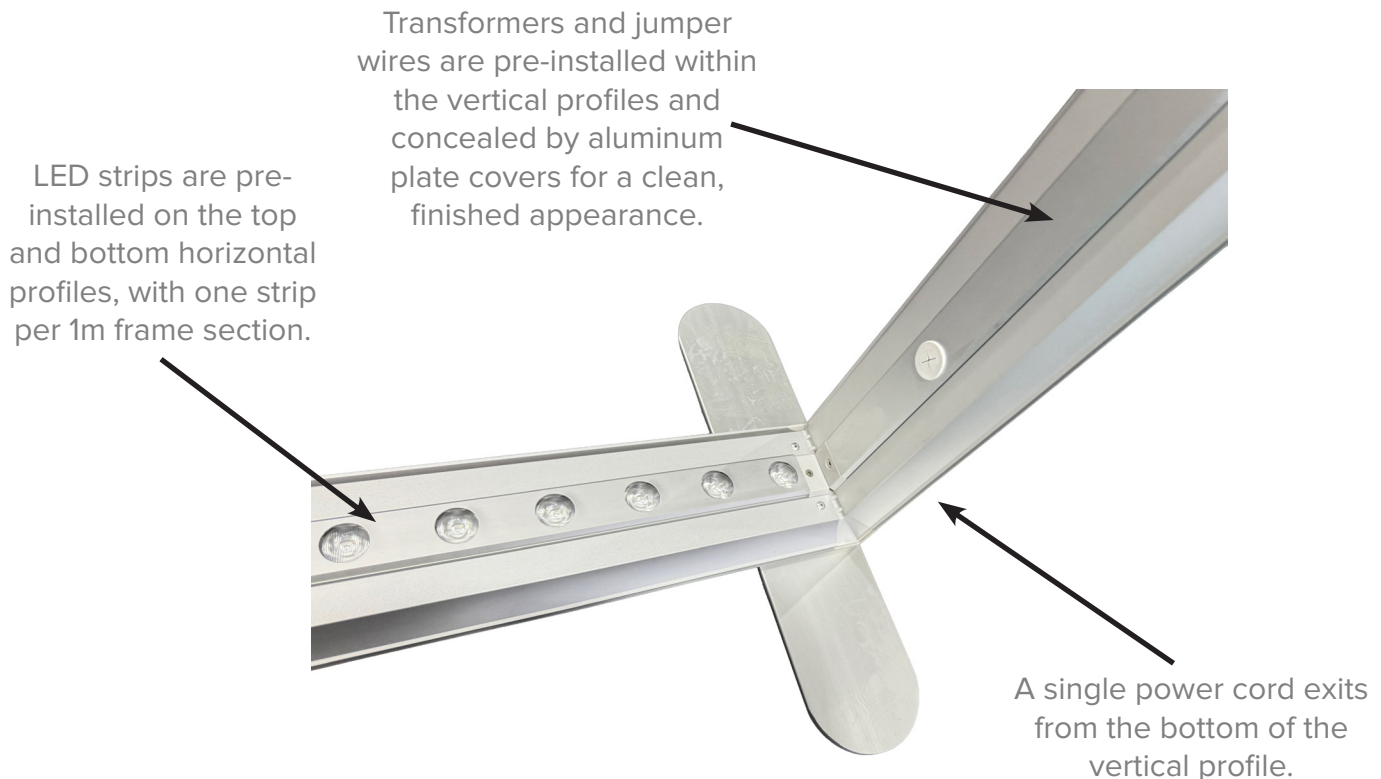
SHOWBIRD 120 MODULAR LIGHTBOX  
PRODUCT CODE: SB120-1010-A



## LED & TRANSFORMER SPECS SB120-100X240 - PER FRAME

LED LIGHTING	
Brand	OSRAM
CCT (COLOR TEMP)	6500K
AVG BEAM ANGLE	9*39
LM/W:	120-130 LM/W
AVG LM/M <sup>2</sup>	4650-5000
VOLTAGE INPUT:	24V
LUMENS	
VOLTAGE (V)	24V
POWER (W)	94W
LM/W	120-130
TOTAL LM	1520-12000
AVG LM	4650-5000 LM/M <sup>2</sup>
CU	80-90%
EAV	2250-2500

TRANSFORMER	
Power	200W
Input Voltage	110-24V
Output Voltage	24V
Certifications	UL & CE Listed
Power Outlets	1 Required



# SHOWBIRD 120 10 X 10 CONFIGURATION A

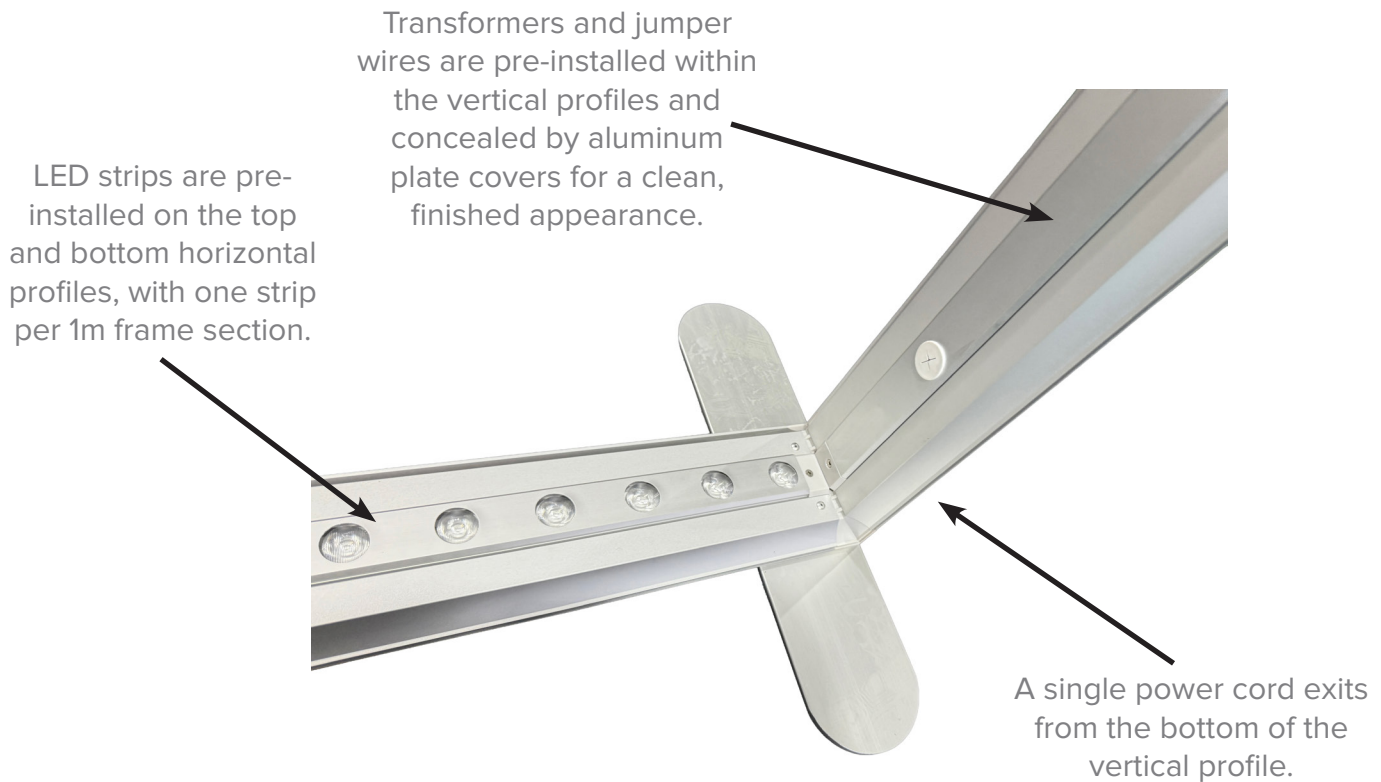
SHOWBIRD 120 MODULAR LIGHTBOX  
PRODUCT CODE: SB120-1010-A



## LED & TRANSFORMER SPECS SB120-300X240

LED LIGHTING	
Brand	OSRAM
CCT (COLOR TEMP)	6500K
AVG BEAM ANGLE	9*39
LM/W:	120-130 LM/W
AVG LM/M <sup>2</sup>	4650-5000
VOLTAGE INPUT:	24V
LUMENS	
VOLTAGE (V)	24V
POWER (W)	282W
LM/W	120-130
TOTAL LM	34560-37000
AVG LM	4650-5000 LM/M <sup>2</sup>
CU	80-90%
EAV	2250-2500

TRANSFORMER	
Power	200W
Input Voltage	110-24V
Output Voltage	24V
Certifications	UL & CE Listed
Power Outlets	1 Required



# SHOWBIRD 120 10 X 10 CONFIGURATION A

SHOWBIRD 120 MODULAR LIGHTBOX  
PRODUCT CODE: SB120-1010-A

SINGLE  
SIDED

DOUBLE  
SIDED

INDOOR  
USE



## TEMPLATE GUIDE

**2 - BRIDGE BOTTOM**  
**5 - BRIDGE TOP**



**3 - FRONT**  
**6 - BACK**

**1 - FRONT**  
**4 - BACK**

### SINGLE SIDED

1. SB120-300X240 - BACKWALL
2. SB120-100X240 - BRIDGE
3. SB120-100X240 - BRIDGE SUPPORT

### DOUBLE SIDED

4. SB120-300X240 - BACKWALL
5. SB120-100X240 - BRIDGE
6. SB120-100X240 - BRIDGE SUPPORT

NUMBERS ON THE IMAGE ABOVE INDICATE THE TEMPLATE LOCATION # ON FRAME  
PLEASE USE TEMPLATE FILE NAME FOR EACH GRAPHIC FILE: "SB120-1010-A-1"  
CONTINUOUS GRAPHICS MAY NOT LINE UP PERFECTLY