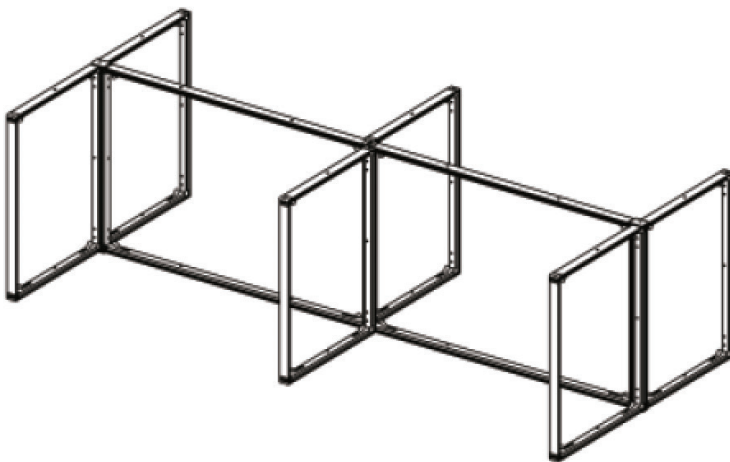
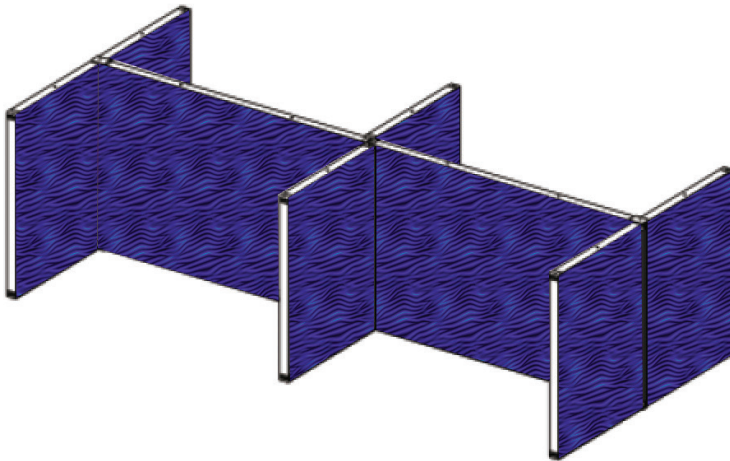


QSEG DESKTOP PARTITION SINGLE - FULL GRAPHIC PRINT

QSEG MODULAR SEG DISPLAY
 PRODUCT CODE: QSEGDESKTOP-SNGL-FCP-GP



On frame On graphic



PRODUCT DESCRIPTION

Use Qseg for social distancing solutions for work environments as office partitions and cubicles. Help keep safe physical distance between employees and customers with today's health and safety regulations. By strategically placing our lightweight and portable walls. Padded travel bags are included to keep your frames and graphics protected during transport and storage. With many wall sizes and connector accessories. Effortlessly creating numerous configurations that meet your needs. Connector options are either 2 way (90°) or 4 way (180°). Other graphic options are full custom printed dye sublimated graphics or TPU plastic for hygienic sneeze guards and partitions.

DISPLAY DIMENSIONS	47.25"W x 29.5"H x 15.75"D
GRAPHIC SIZES	47.25"W x 29.5"H - 1 Frames 15.75"W x 29.5"H - 2 Frames

GRAPHIC MATERIAL

Dye Sub Stretch Fabric

GRAPHIC FINISHING

Silicone beading sewn onto edge of graphic

DISPLAY CONSTRUCTION

Aluminum extrusion frame with plastic components

SHIPPING WEIGHTS & DIMENSIONS

Shipping Weight	31 lbs (frames only) 37 lbs (frames & graphics)
Shipping Dimensions	48.5"W x 3.5"H x 10.25"D (1 boxes) 32.25"W x 3.5"H x 10.25"D (2 boxes)

GRAPHIC TURN AROUND TIME

2 business days after proof approval (up to 2 sets)



TOOL FREE ASSEMBLY



SEG GRAPHIC FINISHING



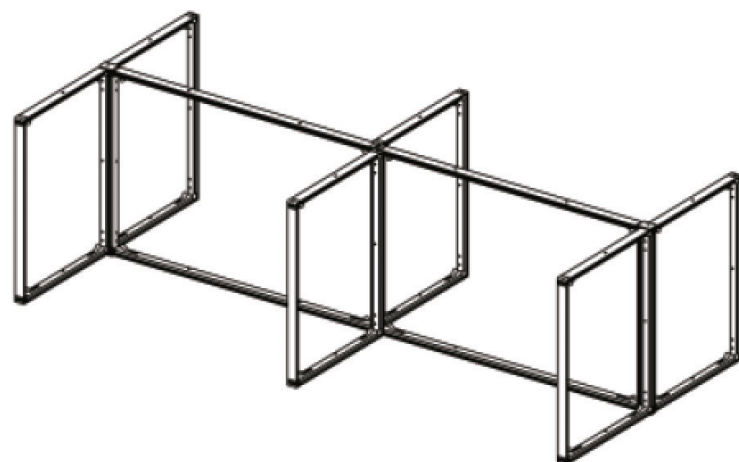
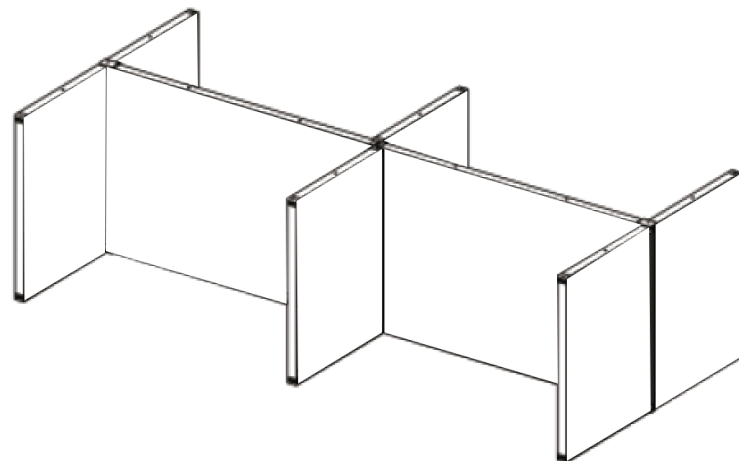
90° CORNER CONNECTION

QSEG DESKTOP PARTITION SINGLE - BLANK PRINT

QSEG MODULAR SEG DISPLAY
 PRODUCT CODE: QSEGDESKTOP-SNGL-U-GP



On frame On graphic



PRODUCT DESCRIPTION

Use Qseg for social distancing solutions for work environments as office partitions and cubicles. Help keep safe physical distance between employees and customers with today's health and safety regulations. By strategically placing our lightweight and portable walls. Padded travel bags are included to keep your frames and graphics protected during transport and storage. With many wall sizes and connector accessories. Effortlessly creating numerous configurations that meet your needs. Connector options are either 2 way (90°) or 4 way (180°). Other graphic options are full custom printed dye sublimated graphics or TPU plastic for hygienic sneeze guards and partitions.

DISPLAY DIMENSIONS	47.25"W x 29.5"H x 15.75"D
GRAPHIC SIZE	47.25"W x 29.5"H - 1 Frames 15.75"W x 29.5"H - 2 Frames

GRAPHIC MATERIAL

Unprinted Stretch Fabric

GRAPHIC FINISHING

Silicone beading sewn onto edge of graphic

DISPLAY CONSTRUCTION

Aluminum extrusion frame with plastic components

SHIPPING WEIGHTS & DIMENSIONS

Shipping Weight	31 lbs (frames only) 37 lbs (frames & graphics)
Shipping Dimensions	48.5"W x 3.5"H x 10.25"D (1 boxes) 32.25"W x 3.5"H x 10.25"D (2 boxes)

GRAPHIC TURN AROUND TIME



TOOL FREE ASSEMBLY



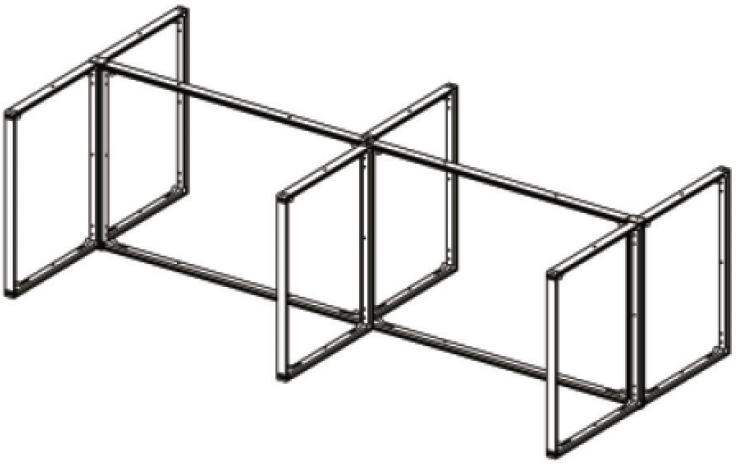
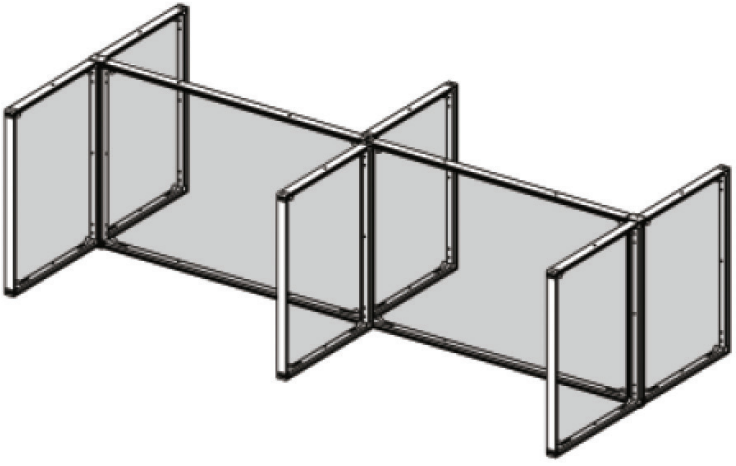
SEG GRAPHIC FINISHING



90° CORNER CONNECTION

QSEG DESKTOP PARTITION SINGLE - TPU

QSEG MODULAR SEG DISPLAY
 PRODUCT CODE: QSEGDESKTOP-SNGL-CW-GP



PRODUCT DESCRIPTION

Use Qseg for social distancing solutions for work environments as office partitions and cubicles. Help keep safe physical distance between employees and customers with today's health and safety regulations. By strategically placing our lightweight and portable walls. Padded travel bags are included to keep your frames and graphics protected during transport and storage. With many wall sizes and connector accessories. Effortlessly creating numerous configurations that meet your needs. Connector options are either 2 way (90°) or 4 way (180°). Other graphic options are full custom printed dye sublimated graphics or TPU plastic for hygienic sneeze guards and partitions.

DISPLAY DIMENSIONS	47.25"W x 29.5"H x 15.75"D
GRAPHIC SIZE	47.25"W x 29.5"H - 1 Frames 15.75"W x 29.5"H - 2 Frames

GRAPHIC MATERIAL

Clear TPU Plastic

GRAPHIC FINISHING

Silicone beading sewn onto edge of graphic

DISPLAY CONSTRUCTION

Aluminum extrusion frame with plastic components

SHIPPING WEIGHTS & DIMENSIONS

Shipping Weight	31 lbs (frames only) 37 lbs (frames & graphics)
Shipping Dimensions	48.5"W x 3.5"H x 10.25"D (1 boxes) 32.25"W x 3.5"H x 10.25"D (2 boxes)

GRAPHIC TURN AROUND TIME



TOOL FREE ASSEMBLY



SEG GRAPHIC FINISHING



90° CORNER CONNECTION

QSEG DESKTOP PARTITION SINGLE - PRINTED ANTIMICROBIAL

QSEG MODULAR SEG DISPLAY
 PRODUCT CODE: QSEGDESKTOP-SNGL-PAMF-GP



On frame On graphic

PRODUCT DESCRIPTION

Use Qseg for social distancing solutions for work environments as office partitions and cubicles. Help keep safe physical distance between employees and customers with today's health and safety regulations. By strategically placing our lightweight and portable walls. Padded travel bags are included to keep your frames and graphics protected during transport and storage. With many wall sizes and connector accessories. Effortlessly creating numerous configurations that meet your needs. Connector options are either 2 way (90°) or 4 way (180°). Other graphic options are full custom printed dye sublimated graphics or TPU plastic for hygienic sneeze guards and partitions.

DISPLAY DIMENSIONS	47.25"W x 29.5"H x 15.75"D
GRAPHIC SIZE	47.25"W x 29.5"H - 1 Frames 15.75"W x 29.5"H - 2 Frames

GRAPHIC MATERIAL

Antimicrobial Fabric

GRAPHIC FINISHING

Silicone beading sewn onto edge of graphic

DISPLAY CONSTRUCTION

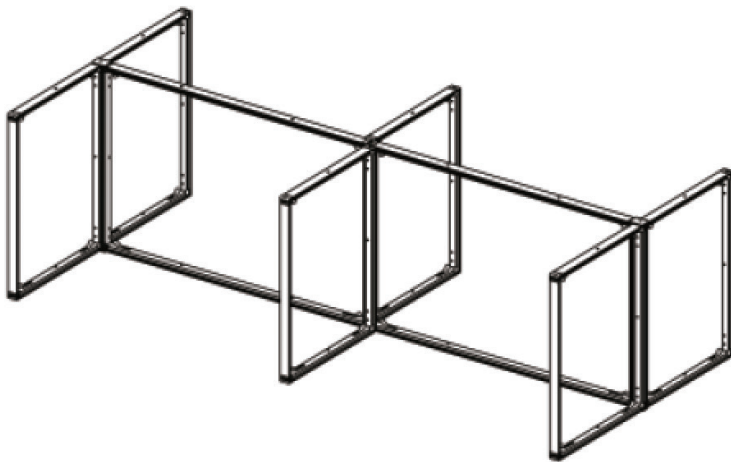
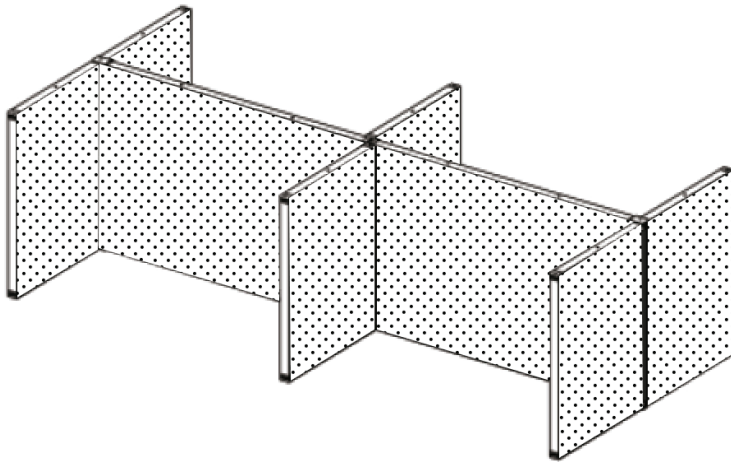
Aluminum extrusion frame with plastic components

SHIPPING WEIGHTS & DIMENSIONS

Shipping Weight	31 lbs (frames only) 37 lbs (frames & graphics)
Shipping Dimensions	48.5"W x 3.5"H x 10.25"D (1 boxes) 32.25"W x 3.5"H x 10.25"D (2 boxes)

GRAPHIC TURN AROUND TIME

2 business days after proof approval (up to 2 sets)



TOOL FREE ASSEMBLY



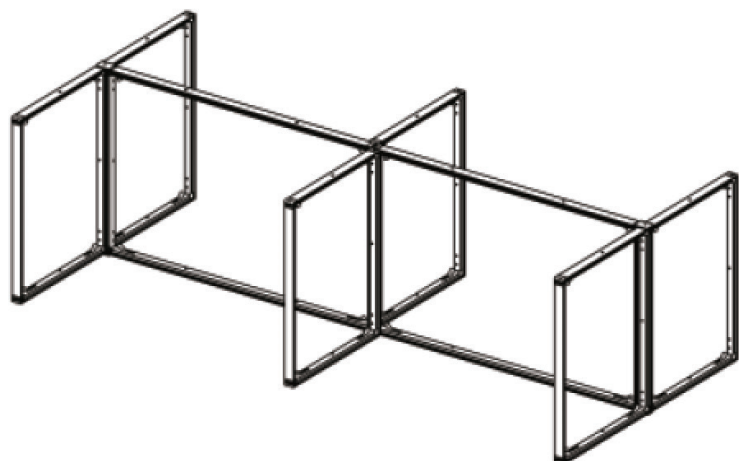
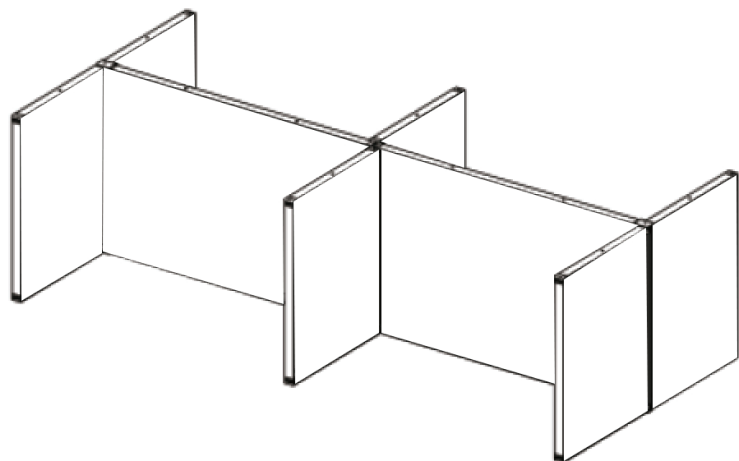
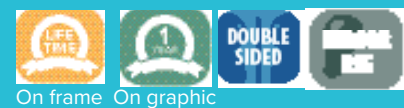
SEG GRAPHIC FINISHING



90° CORNER CONNECTION

QSEG DESKTOP PARTITION SINGLE - UNPRINTED ANTIMICROBIAL

QSEG MODULAR SEG DISPLAY
 PRODUCT CODE: QSEGDESKTOP-SNGL-UPAMF-GP



PRODUCT DESCRIPTION

Use Qseg for social distancing solutions for work environments as office partitions and cubicles. Help keep safe physical distance between employees and customers with today's health and safety regulations. By strategically placing our lightweight and portable walls. Padded travel bags are included to keep your frames and graphics protected during transport and storage. With many wall sizes and connector accessories. Effortlessly creating numerous configurations that meet your needs. Connector options are either 2 way (90°) or 4 way (180°). Other graphic options are full custom printed dye sublimated graphics or TPU plastic for hygienic sneeze guards and partitions.

DISPLAY DIMENSIONS	47.25"W x 29.5"H x 15.75"D
GRAPHIC SIZE	47.25"W x 29.5"H - 1 Frames 15.75"W x 29.5"H - 2 Frames

GRAPHIC MATERIAL

Unprinted Antimicrobial Fabric

GRAPHIC FINISHING

Silicone beading sewn onto edge of graphic

DISPLAY CONSTRUCTION

Aluminum extrusion frame with plastic components

SHIPPING WEIGHTS & DIMENSIONS

Shipping Weight	31 lbs (frames only) 37 lbs (frames & graphics)
Shipping Dimensions	48.5"W x 3.5"H x 10.25"D (1 boxes) 32.25"W x 3.5"H x 10.25"D (2 boxes)

GRAPHIC TURN AROUND TIME

2 business days after proof approval (up to 2 sets)



TOOL FREE ASSEMBLY



SEG GRAPHIC FINISHING



90° CORNER CONNECTION

QSEG DESKTOP PARTITION SINGLE

QSEG MODULAR SEG DISPLAY
PRODUCT CODE: QSEGDESKTOP



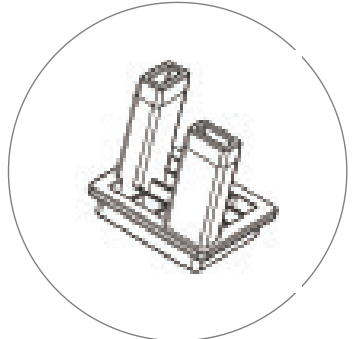
PARTS LIST



(qty 1)
QSEG-120X75



(qty 2)
QSEG-40x75



(qty 2 pair)
QSEG-LCON



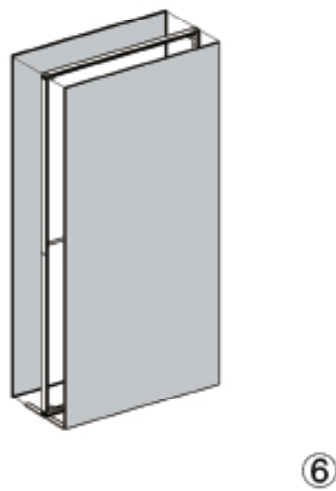
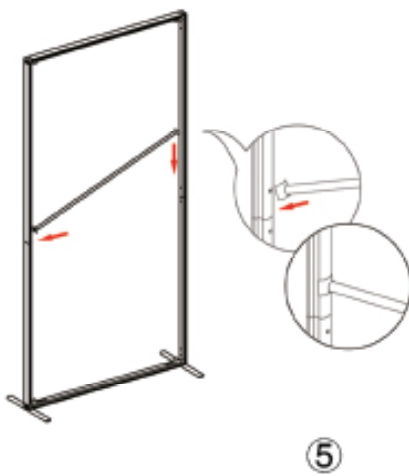
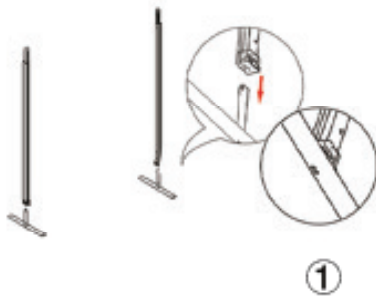
On frame



On graphic



SET UP INSTRUCTIONS



QSEG DESKTOP PARTITION SINGLE

QSEG MODULAR SEG DISPLAY
PRODUCT CODE: QSEGDESKTOP



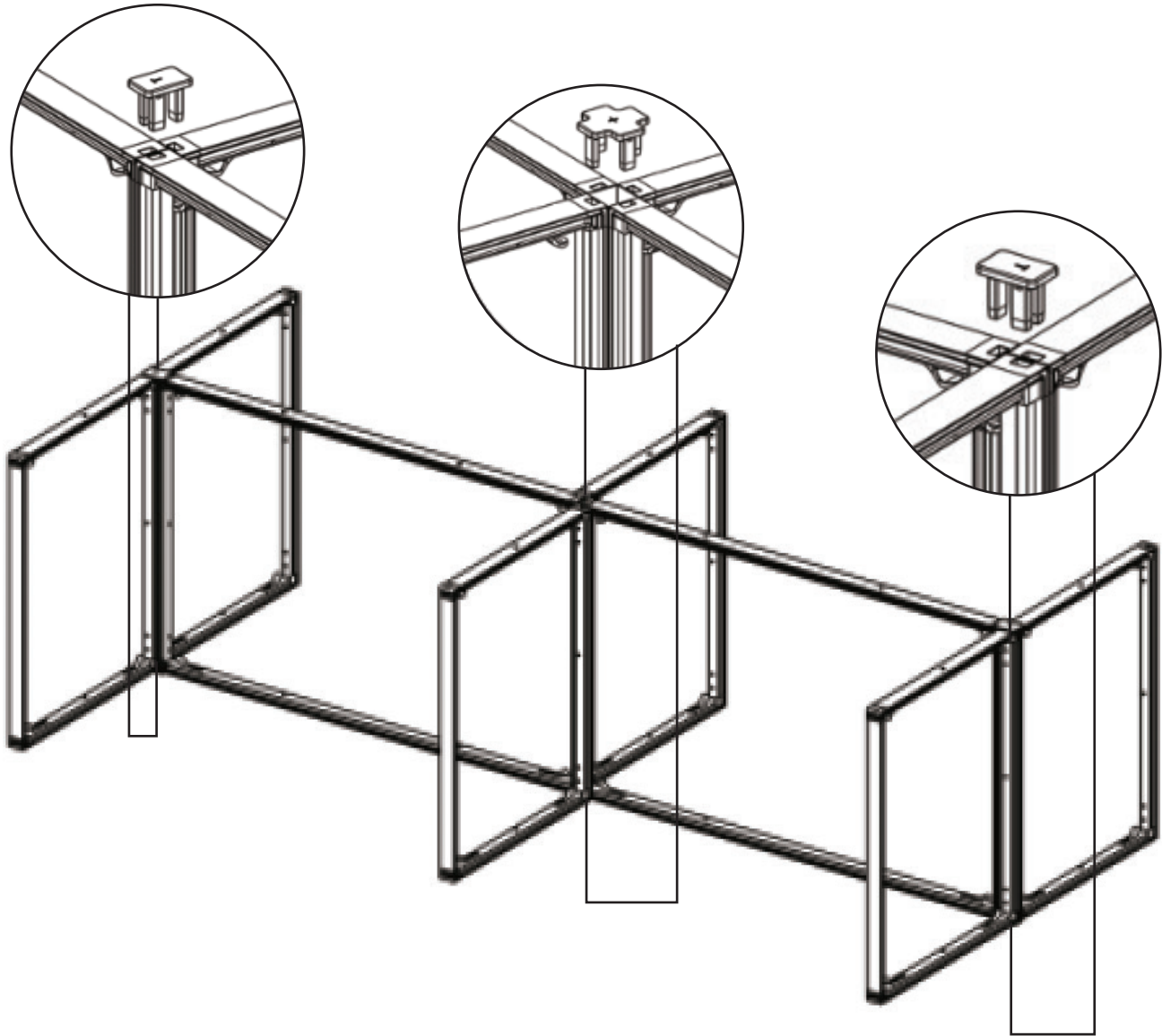
On frame



On graphic



SET UP INSTRUCTIONS DESKTOP PARTITION ASSEMBLY



TEMPLATE

PLEASE DELETE ALL TEMPLATE ELEMENTS BEFORE UPLOADING

QSEG 120 x 75

Desktop Partition Single

GRAPHIC DIMENSIONS: 47.25"W x 29.5" H

YELLOW SAFE AREA: 38.25"W x 21.5" H

USE TEMPLATE 2 TIMES TOTAL (1 FRONT/1 BACK)

UPLOAD AT 100% SCALE

DOCUMENT SIZE 47.25" x 29.5"

USE SAME TEMPLATE FOR FRONT AND BACK

**KEEP ALL IMPORTANT GRAPHICS
SUCH AS: LOGOS, TEXT, CONTACT INFO, ETC.
IN THE YELLOW SAFE ZONE**

**ARTWORK IN THE BLUE AREA WILL PRINT BUT IS IN RISK
OF BEING CLOSE TO THE EDGE OR TRIMMED OFF**

- | | |
|--------------------------------|---------------------------------|
| Graphic Specifications: | Acceptable file formats: |
| - Create to template specs | - Photoshop (.psd, .psb) |
| - 125 DPI resolution | - Illustrator (.ai, .eps) |
| - CMYK color | - Flattened .tiff |
| - No template lines | - Press quality .pdf |
| - Embed/link all images | |
| - Create to outline all fonts | |

Ver-1008.20

PLEASE DELETE ALL TEMPLATE ELEMENTS BEFORE UPLOADING

QSEG 40x75

Desktop Partition Single

GRAPHIC DIMENSIONS: 15.75"W x 29.5" H

YELLOW SAFE AREA: 9.75"W x 23.5" H

UPLOAD AT 100% SCALE
DOCUMENT SIZE 17.75" x 31.5"

USE TEMPLATE 4 TIMES TOTAL (2 FRONT/2 BACK)
REFERENCE TEMPLATE GUIDE FOR TEMPLATE LOCATIONS
ANY CONTINUOUS ARTWORK TO MATCH UP OR LINE UP
WITH ANOTHER PRINT MAY NOT LINE UP PERFECTLY

**KEEP ALL IMPORTANT GRAPHICS
SUCH AS: LOGOS, TEXT, CONTACT INFO, ETC.
IN THE YELLOW SAFE ZONE**

**ARTWORK IN THE BLUE AREA WILL PRINT BUT IS IN RISK
OF BEING CLOSE TO THE EDGE OR TRIMMED OFF**

- | | |
|--------------------------------|---------------------------------|
| Graphic Specifications: | Acceptable file formats: |
| - Create to template specs | - Photoshop (.psd, .psb) |
| - 125 DPI resolution | - Illustrator (.ai, .eps) |
| - CMYK color | - Flattened .tiff |
| - No template lines | - Press quality .pdf |
| - Embed/link all images | |
| - Create to outline all fonts | |

Ver-105.20