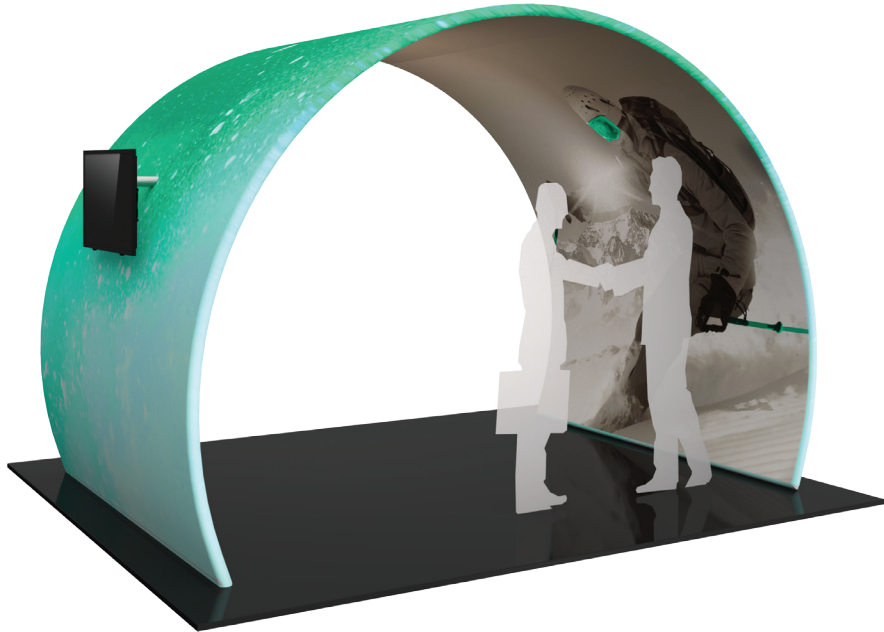


Formulate Arch 01 – 12'

ARCH-01

Formulate® Arches add architecture and design to any event or interior space! Easily create and define a stunning entryway, focal point or stage set at your next trade-show or event. Formulate Arches combine pillowcase style stretch fabric graphics with 50mm curved aluminum tube frames; these super structures are made in the USA and collapse to a fraction of their size.




We are continually improving and modifying our product range and reserve the right to vary the specifications without prior notice. All dimensions and weights quoted are approximate and we accept no responsibility for variance. E&OE. See Graphic Templates for graphic bleed specifications.

features and benefits:

- State-of-the-art 50mm curved aluminum tube frame with sturdy internal spigots
- Two monitor mounts included, externally facing, adding a bonus opportunity to display messaging and branding
- Kit includes: one frame, one dye-sublimated zipper pillowcase graphic, two monitor mounts, and three molded storage cases
- Lifetime hardware warranty against manufacturer defects

dimensions:

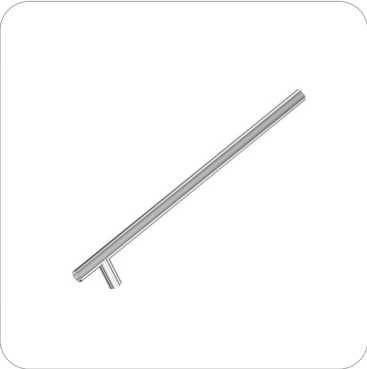
Hardware	Graphic
<p>Assembled unit: 136.57" w x 95.32" h x 92" d 3469mm(w) x 2422mm(h) x 2337mm(d)</p> <p>Top of monitor mount: 64.19" h (1631mm)</p> <p>Approximate weight (includes graphic): 117 lbs / 54 kg</p>	<p>Refer to related graphic template for more information.</p> <p>Visit: www.exhibitors-handbook.com/graphic-templates</p>
Shipping	additional information:
<p>Packing case(s): 2 OCE-2 1 OCH2</p> <p>Shipping dimensions: OCE-2: Expandable case length (l) may vary 40" - 66" l x 18" h x 18" d 1016-1677mm(l) x 458mm(h) x 458mm(d)</p> <p>OCH2: 52" l x 29" h x 15" d 1321mm(l) x 737mm(h) x 381mm(d)</p> <p>Approximate shipping weight (with case): 201 lbs / 92 kg</p>	<p>Graphic material: Dye-sublimation zipper pillowcase fabric</p> <p>When included in a larger kit, a different packaging solution will be listed to accommodate all contents of the kit. Individual packaging no longer provided.</p>
<p>2 person assembly recommended:</p> 	

Included In Your Kit

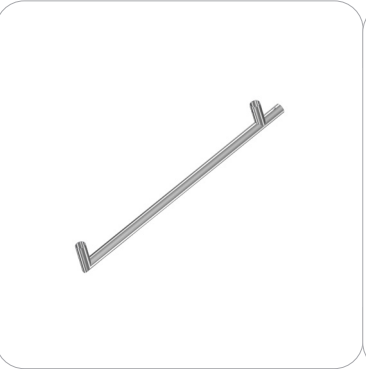
Tools, Components, & Connectors



5MM ALLEN-T x1



ARCH-01-T1 x2



ARCH-01-T2 x2



ARCH-T6 x2



ARCH-T7 x2



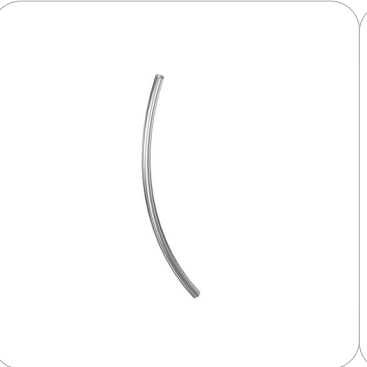
ES30 x3



ES50 x22



EXT-LG-MB x2



ARCH-T2 x4



ARCH-T5 x2



ARCH-T2-SP50-R x1



ARCH-T2-SP50-30-R x1



ARCH-T2-SP50-30-L x1



ARCH-T2-SP50-L x1



ARCH-T2-PL1 x2

Included In Your Kit

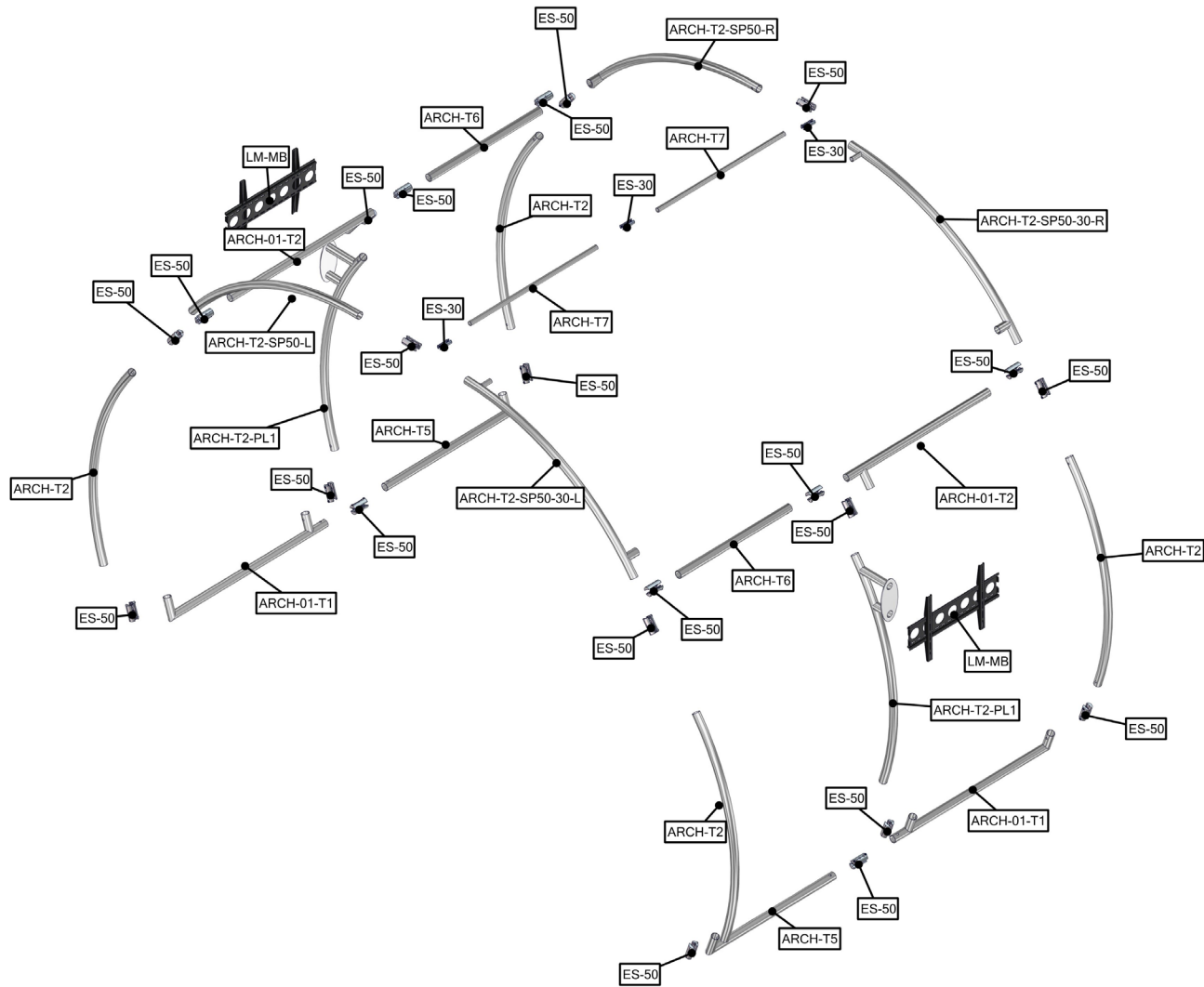
Graphics



ARCH-1-G x1

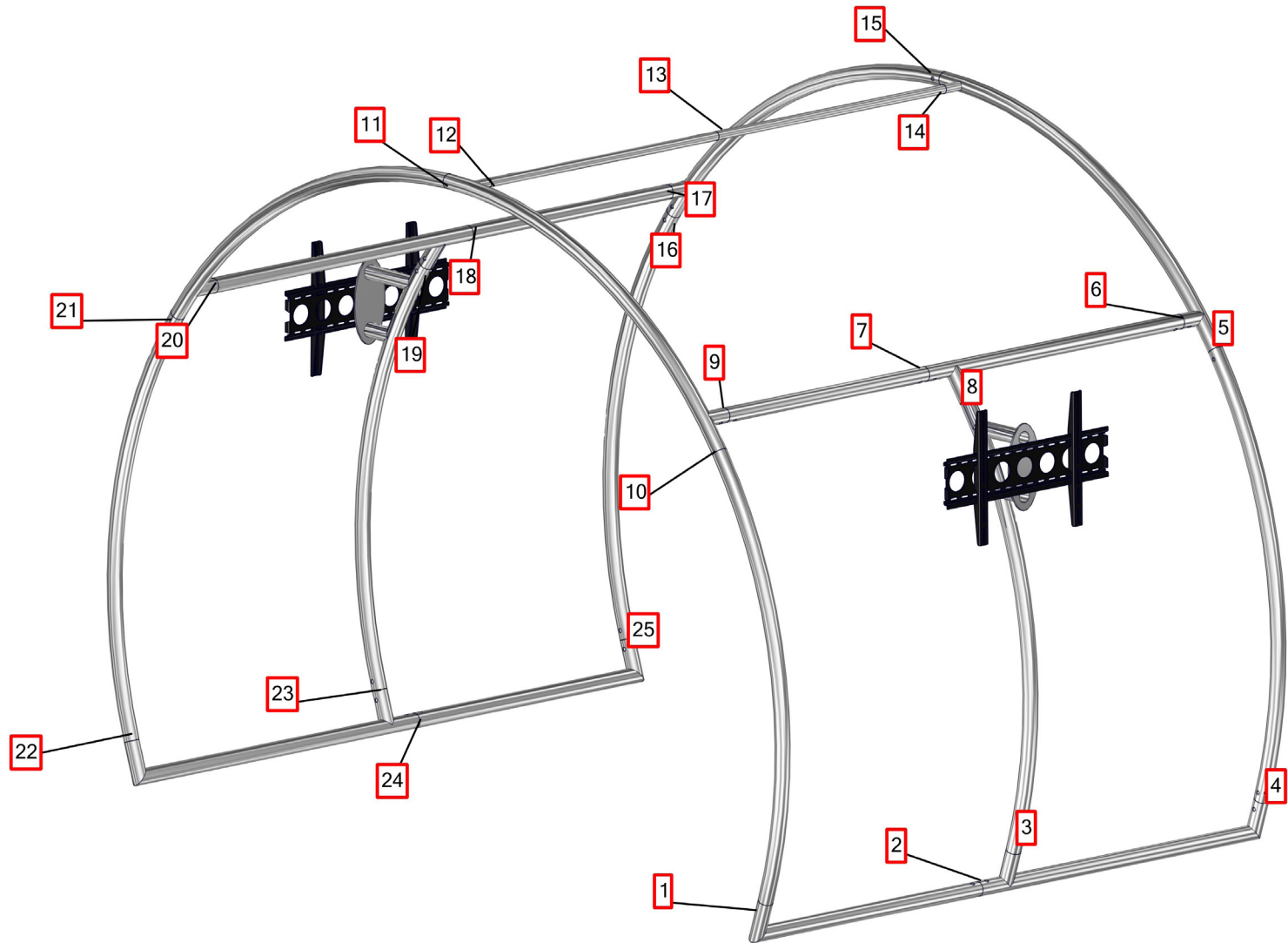
Exploded Diagram

ARCH-01



Labeling Diagram

ARCH-01



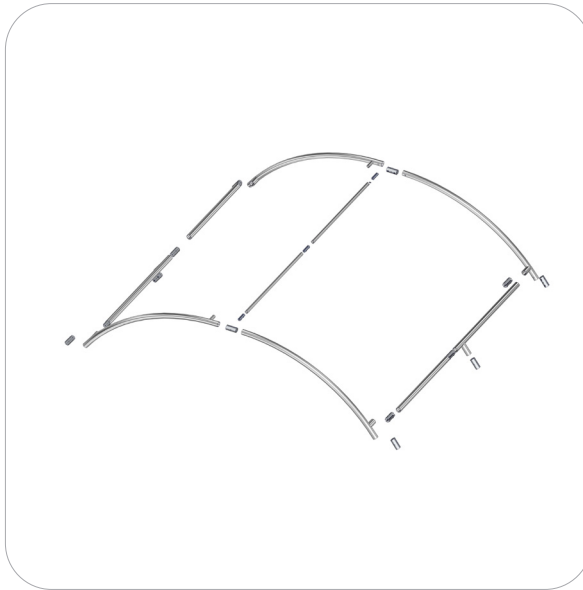
Kit Assembly

Step by Step

Step 1.

FOR 50MM TUBES: Slide joiner into the tubing so the hex screw sits in the hole on the tubing.

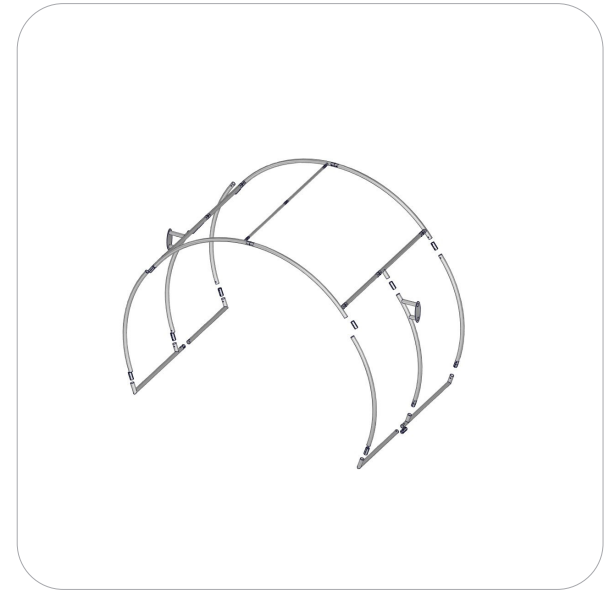
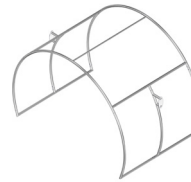
Reference Connection Method 1 for more details.



Step 2.

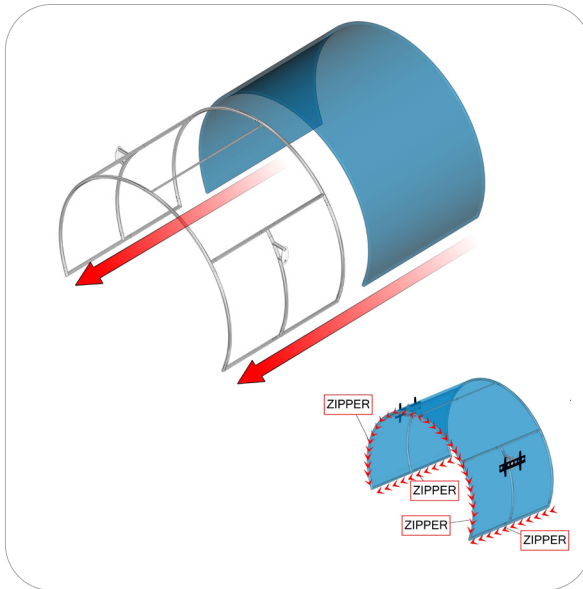
For 30mm tube connection repeat the same steps as ES-50 assembly.

Reference Connection Method 1 for more details.



Step 3.

Pull the graphic over the frame and zip it closed at the bottom of the frame.

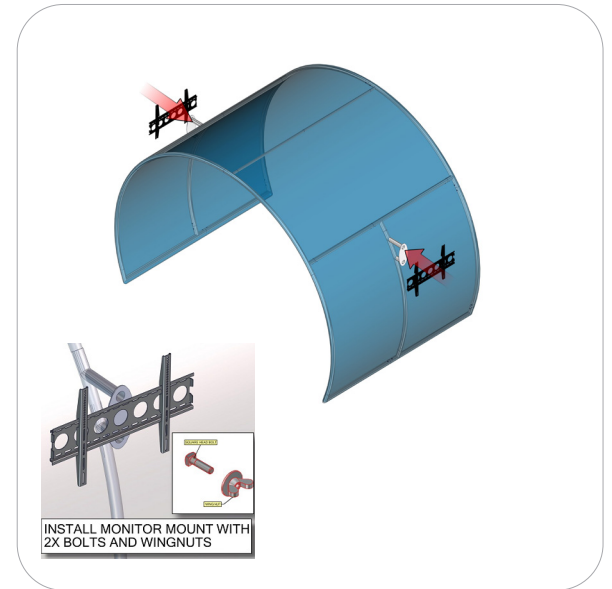
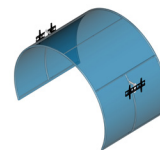


Step 4.

Install monitor mount on both sides with 2 bolts and wingnuts.

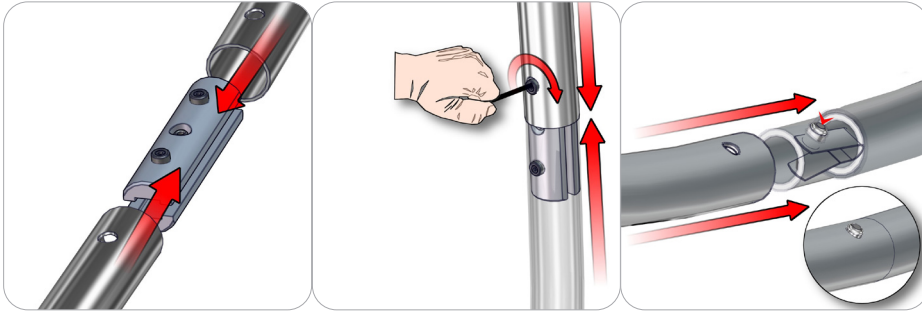
Reference the Monitor Mount supplement sheets for more details.

Setup is complete.



Connection Methods

Connection Method 1: ES30 / ES50 / SNAP BUTTONS



For spigot connections, compress the unlocked connector and slide into the tube lock access hole. Lock both screws carefully using your allen key tool. Be sure to lock securely, but do not over tighten. For snap button connections, locate the snap button on the connector or swage tube. Locate the hole on the corresponding tube. Press the snap button with your thumb and slide the tube and connector together so that the snap button snaps fully into the lock hole. To disassemble, press the snap button and pull apart.